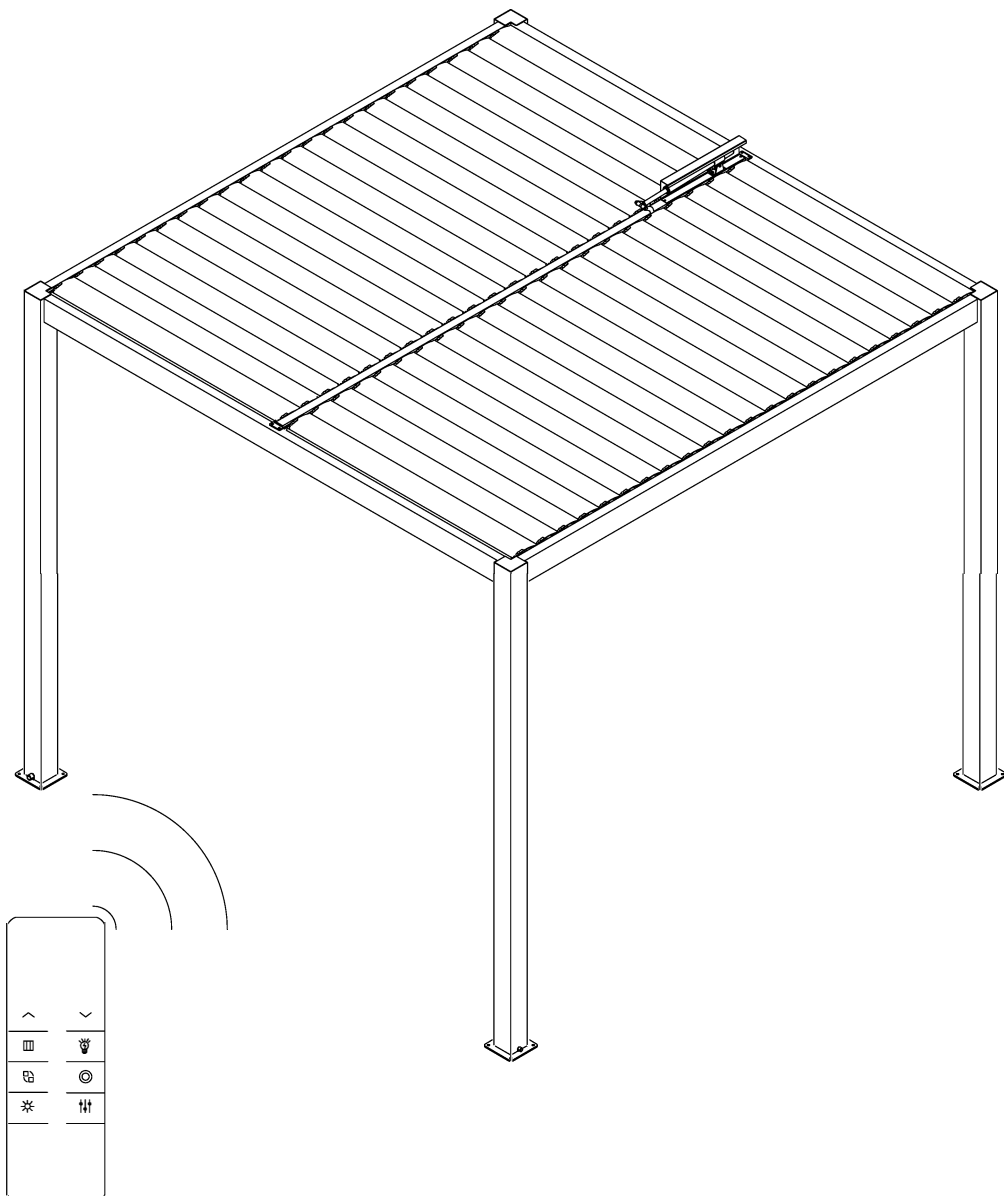


# Aluminium Louvered Pergola Instruction Manual




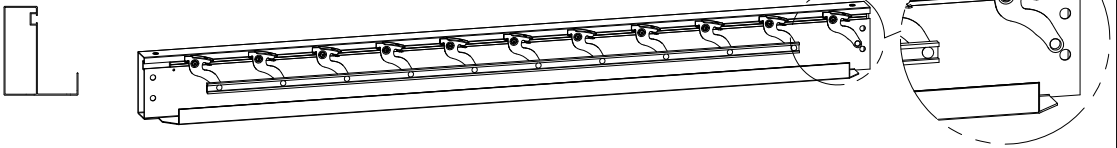
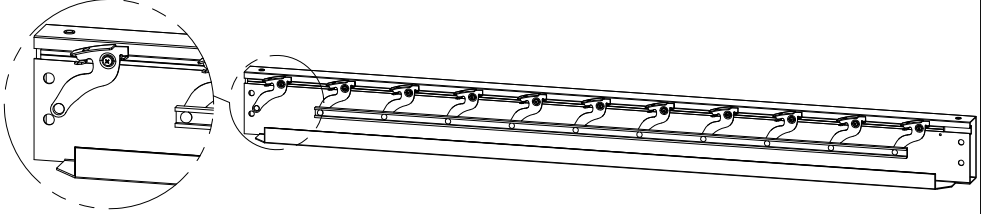
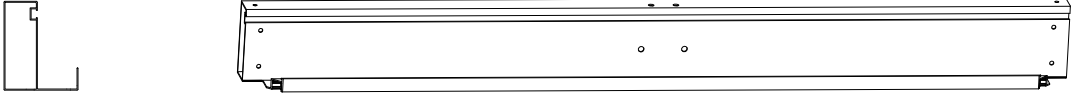
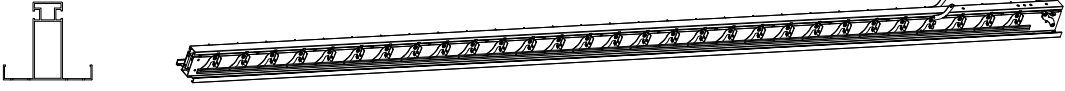
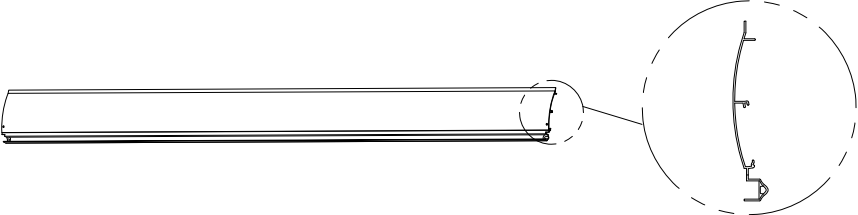
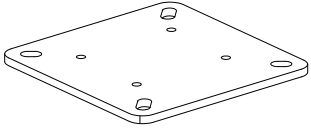
<b>3x3m</b>	REF	QTY	REF	QTY	REF	QTY
Carton 1/3	A	4PCS	F	4PCS	G	4PCS
	H	2PCS	I	8PCS	J	8PCS
	K1	8PCS	K2	16PCS	K3	16PCS
	K4	8PCS	K5	16PCS	K6	12PCS
	K8	16PCS	K9	1PC	K10	2PCS
	K11	2PCS	K12	2PCS	N	88PCS
	O	16PCS	P	16PCS	Q	4PCS
	Manual utilisateur	1SET				
Carton 2/3	B1	1PC	B2	1PC	C1	2PCS
	D	1PC	L1	1PC	L2	1PC
	L3	1PC	L4	1PC		

	REF	QTY	REF	QTY	REF	QTY
Carton 2/3	L5	2PCS	L6	1PC	L7	1PC
	L8	2PCS				
Carton 3/3	E	30PCS				

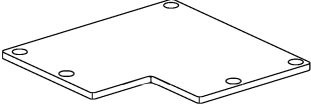
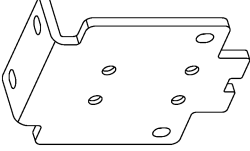
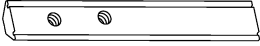
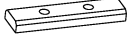



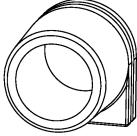
	REF	QTY		REF	QTY		REF	QTY
Carton 1/4	A	4PCS		F	4PCS		G	4PCS
	H	2PCS		I	8PCS		J	8PCS
	K1	8PCS		K2	16PCS		K3	16PCS
	K4	8PCS		K5	16PCS		K6	12PCS
	K8	16PCS		K9	1PC		K10	2PCS
	K11	2PCS		K12	2PCS		N	120PCS
	O	16PCS		P	16PCS		Q	4PCS
	Manual utilisateur	1SET						
	Carton 2/4	B1	1PC		B2	1PC		C1
D		1PC		L1	1PC		L2	1PC
L3		1PC		L4	1PC			

	REF	QTY	REF	QTY	REF	QTY
Carton 2/4	L5	2PCS	L6	1PC	L7	1PC
	L8	2PCS				
Carton 3/4	E	30PCS				
Carton 4/4	E	30PCS				

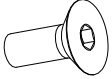
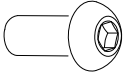
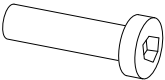

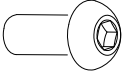
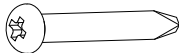

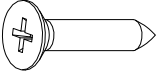
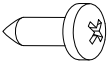


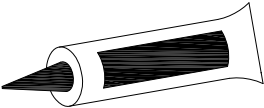
# Bill of Materials List

REF	PHOTO	QTY
A		4
B1		1
B2		1
C1		2
D		1
E		$3 \times 3 = 44$ $4 \times 3 = 44$ $3 \times 4 = 60$ $4 \times 4 = 60$
F		4

# Bill of Materials List

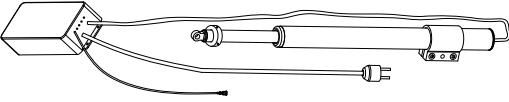

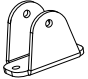
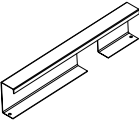
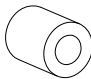
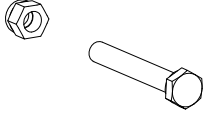


REF	PHOTO	QTY
G		4
H		2
I		8
J		8
N		$3 \times 3 = 88$ $4 \times 3 = 88$ $3 \times 4 = 120$ $4 \times 4 = 120$
O		16
P		16
Q		4

# Bill of Materials List

REF	PHOTO	QTY	REF	PHOTO	QTY
K1	 M6*16	8	K10	 M5*14	2
K2	 M8*25	16	K11	 φ5*1	2
K3	 M6*16	21	K12	 ST4.2*25	4
K4	 φ6*1	8			
K5	 ST5.5*32	16			
K6	 ST5.5*16	12			
K8	  φ8 & φ10*50 & M8*75	16			
K9		1			



# Bill of Materials List

REF	PHOTO	QTY
L1		1
L2		1
L3		1
L4		1
L5		2
L6		1
L7		1
L8		1

M8 & M8\*65

M6 & M6\*45

DC2760X

# Kinder Reminder

## General Guidelines

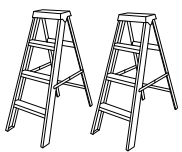
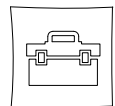
- Please keep this manual for future use after you install the pergola;
- Please read the following instruction carefully before assembly;
- This manual may not include every details and considerable steps;
- Please contact us when you need further information or any help

## Kind Notes

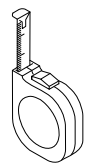
·Please do not allow snow to accumulate on the louver roof. If moderate or heavy snow is expected to coming, do open the louvers, also does it in the conditions of high winds or other extreme weather conditions.

·Please open the louvers and raise or remove any shade screen accessories that have been installed to avoid potential damage to the pergola when bad weather comes.

## What you may need?



Ladder x2



Tapeline



Mallet

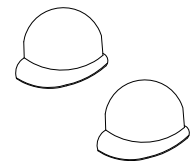


Glove

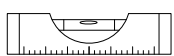


Ø10mm

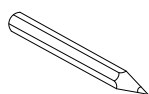
electric screw driver



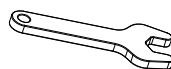
Safety hat x2



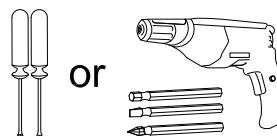
Level



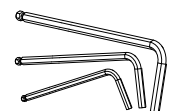
Marker Pen



Adjustable wrench



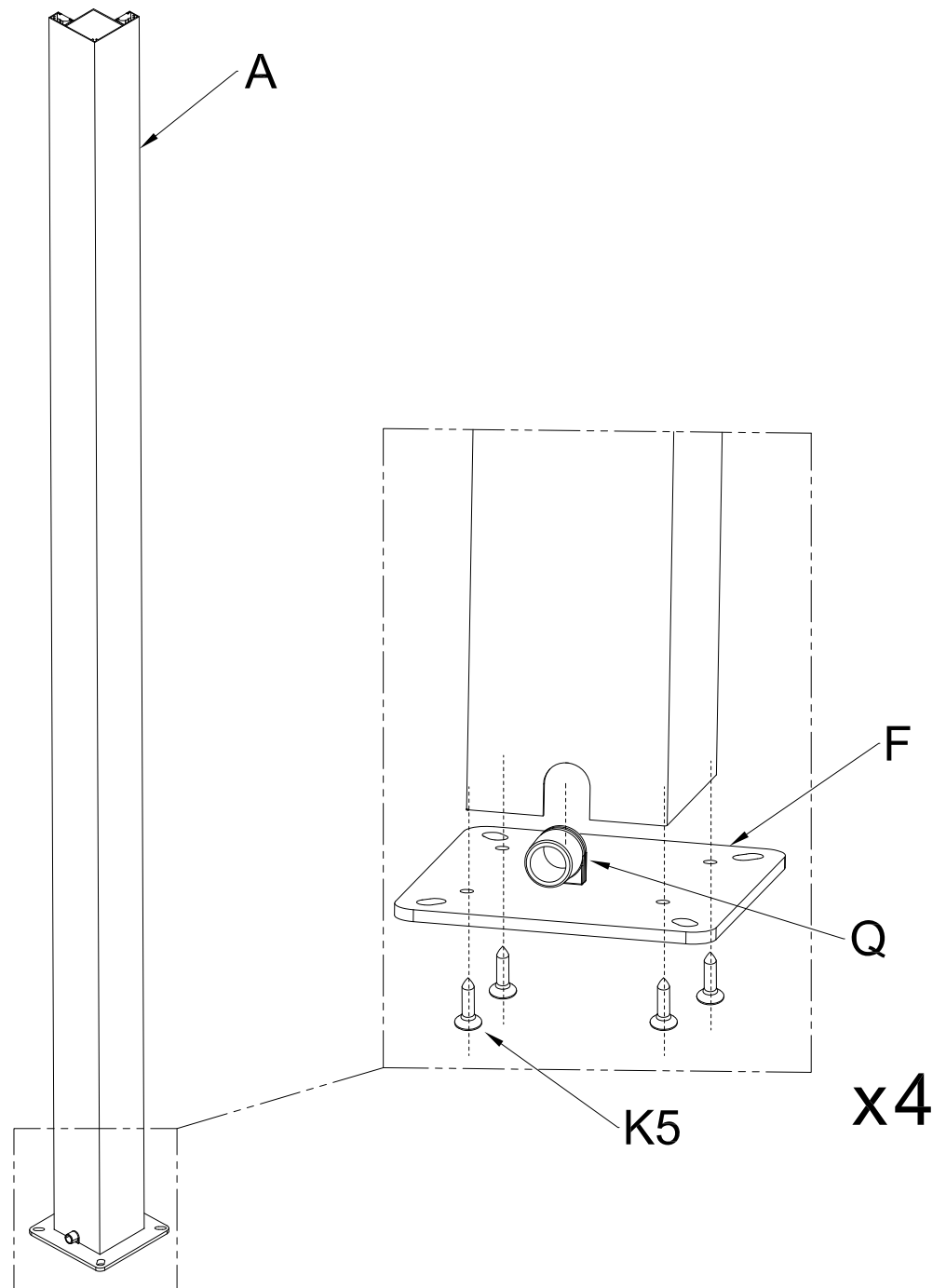
screwdriver or electric screwdriver

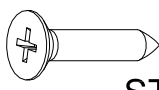
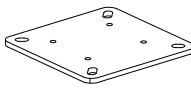



Allen key

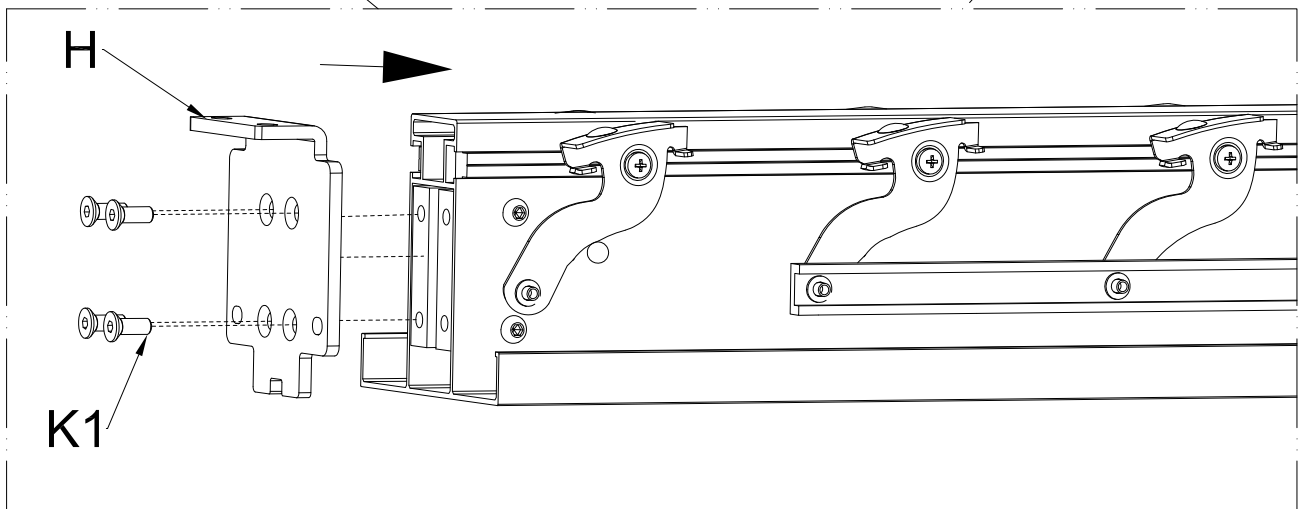
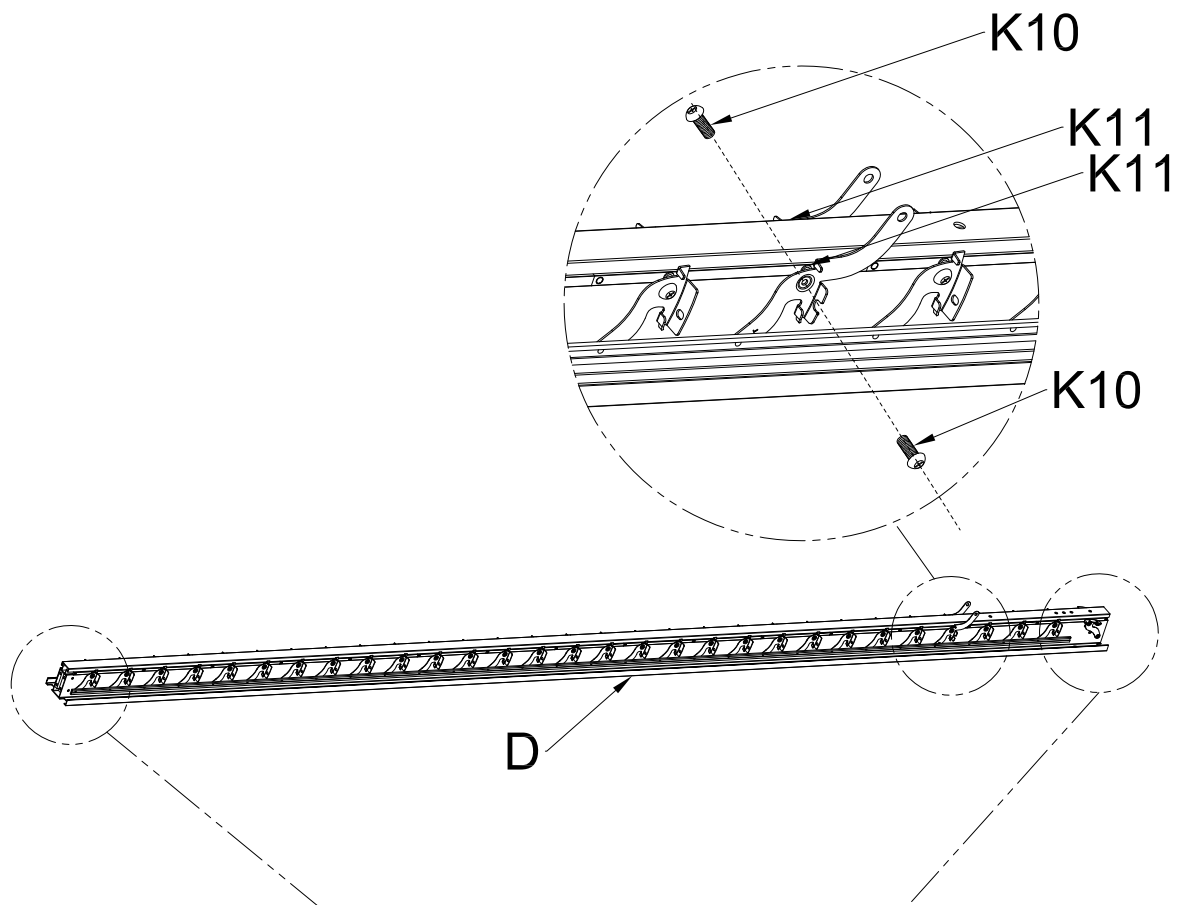
# **Step-by-step Instructions for Installation**

1. Install the bottom plate F of the column and the drainage joint Q on the column, and then tighten the screw K5 to fix it.

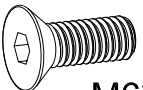
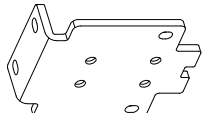
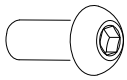
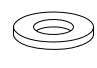


<p>K5</p>  <p>QTY: 16PCS</p> <p>ST5.5*32</p>	<p>F</p>  <p>QTY: 4PCS</p>
<p>Q</p>  <p>QTY: 4PCS</p>	

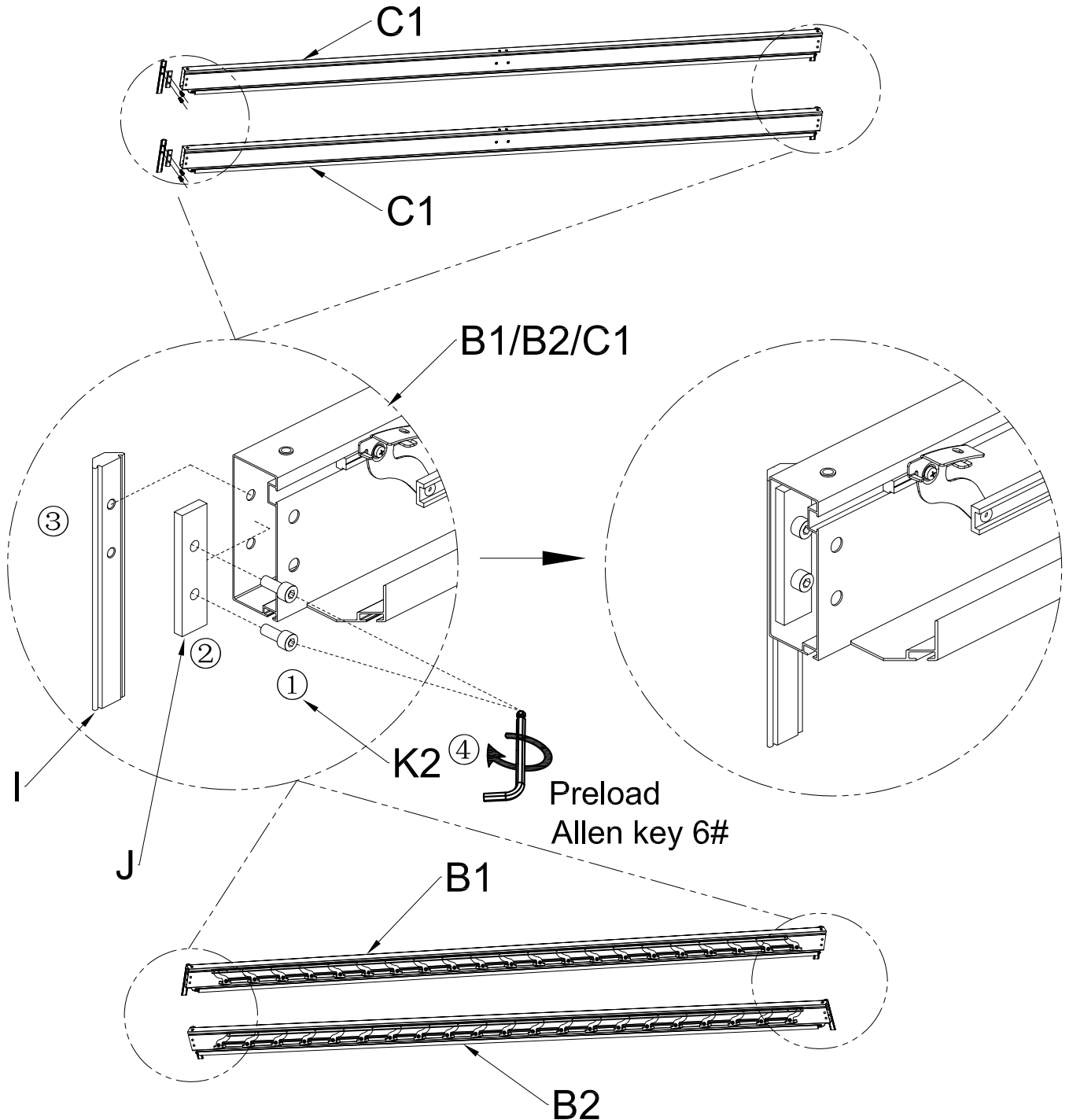
2. Install the middle beam connector H at one end of the middle beam D, and fix it with screw K1. Finish the other end.



x2

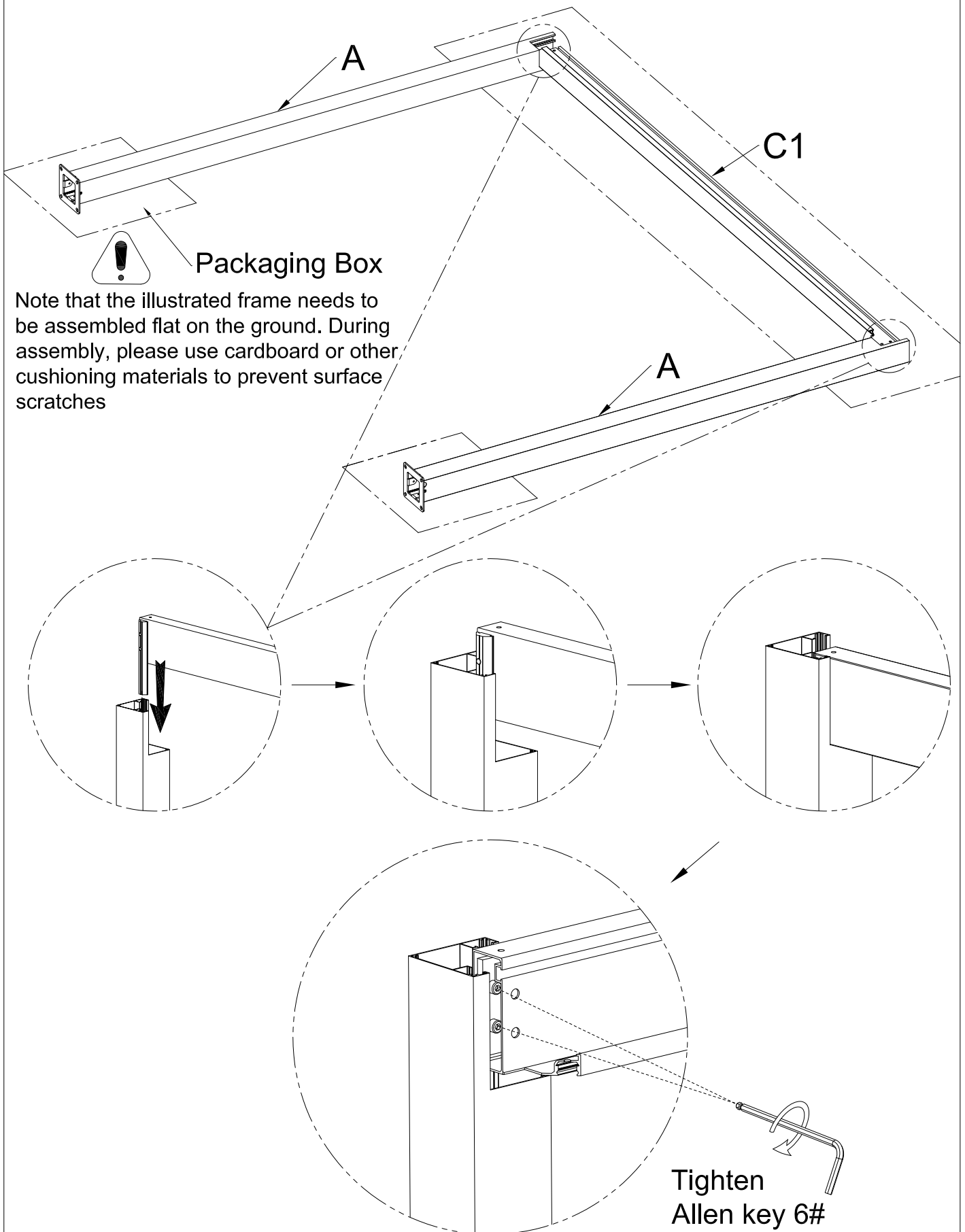
K1	 M6*16	QTY: 8PCS	H		QTY: 2PCS
K10	 M5*14	QTY: 2PCS	K11	 φ5*1	QTY: 2PCS

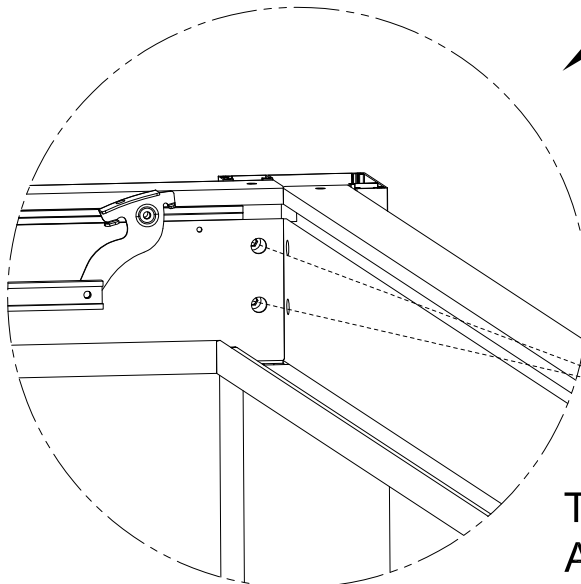
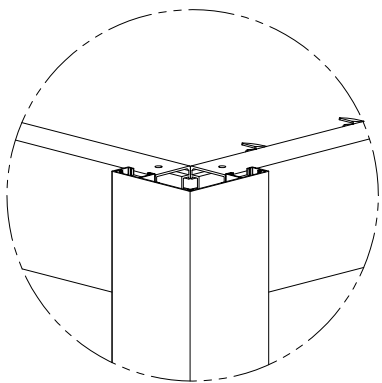
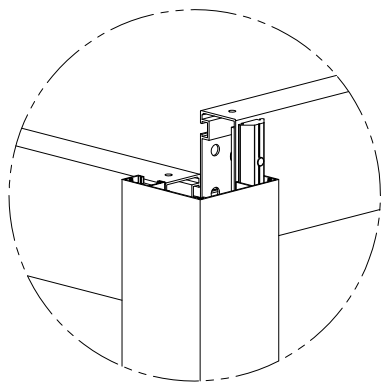
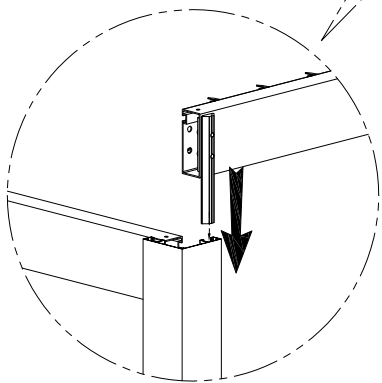
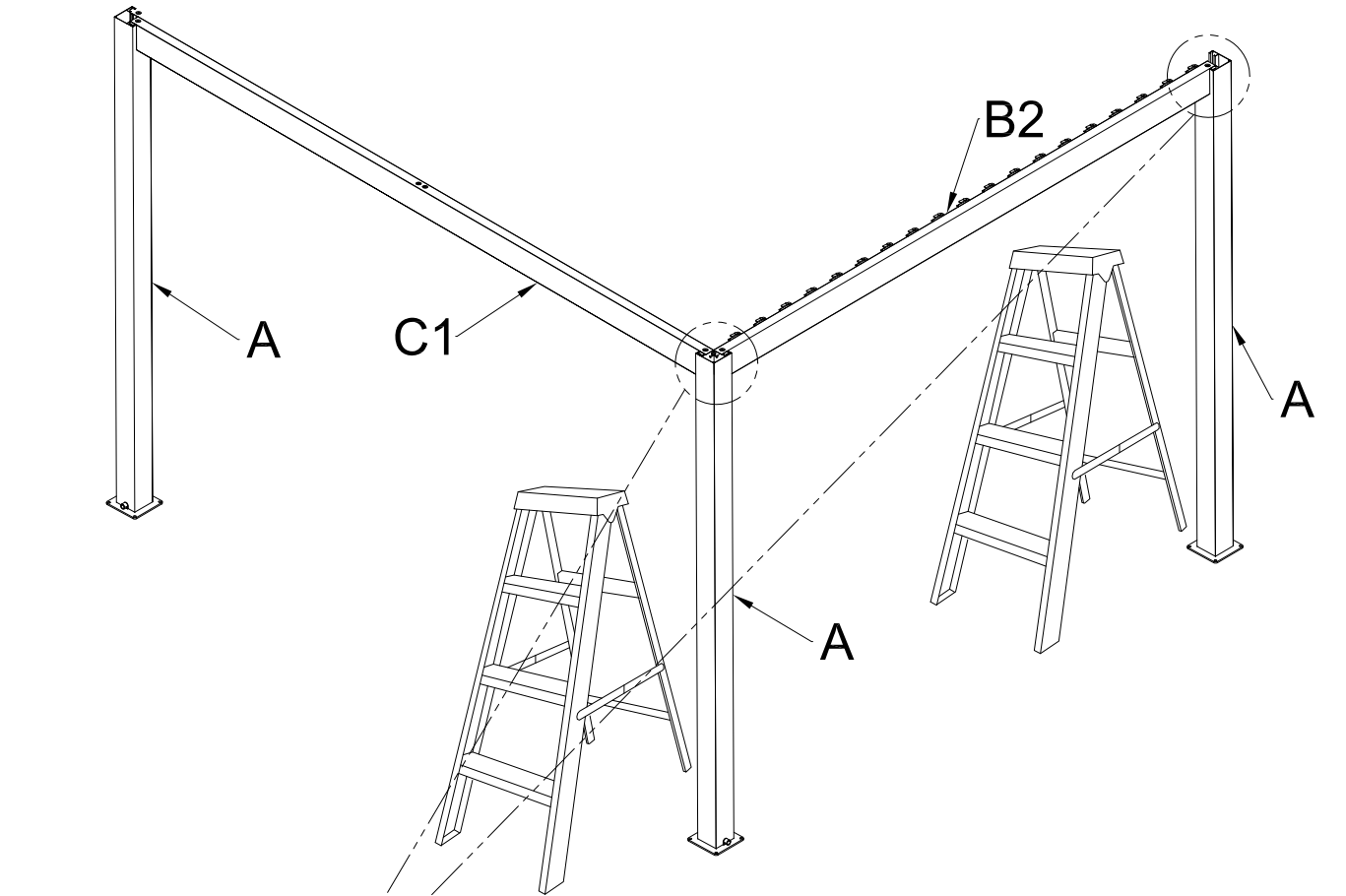
3. Place the pressing block 1 (J) inside the cross beam B1/B2/C1, place the corner nut rod (I) outside the cross beam B1/B2/C1, align the corresponding holes, connect the pressing block 1 (J), corner nut rod (I), and cross beam B1/B2/C1 with K2 screws, don't tighten the K2 screws (empty space: 3-5mm), and complete the other end.



I		QTY: 8PCS	J		QTY: 8PCS
K2		QTY: 16PCS			

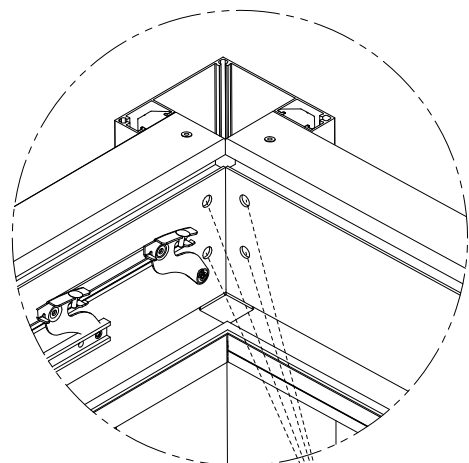
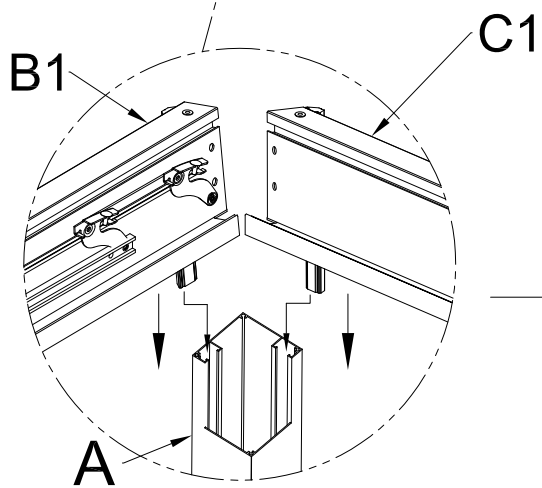
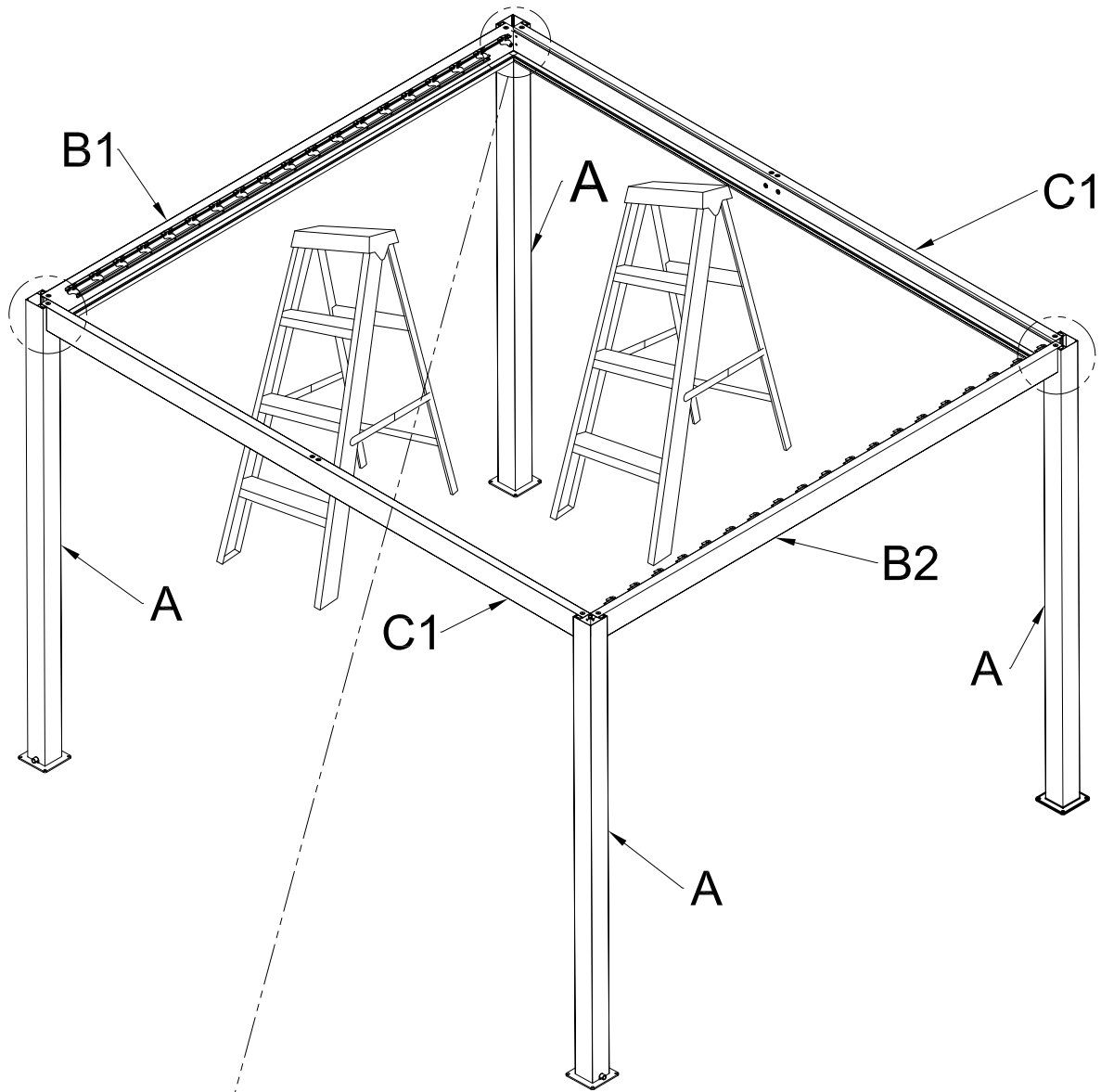
## 4. Assembling crossbeams and columns.





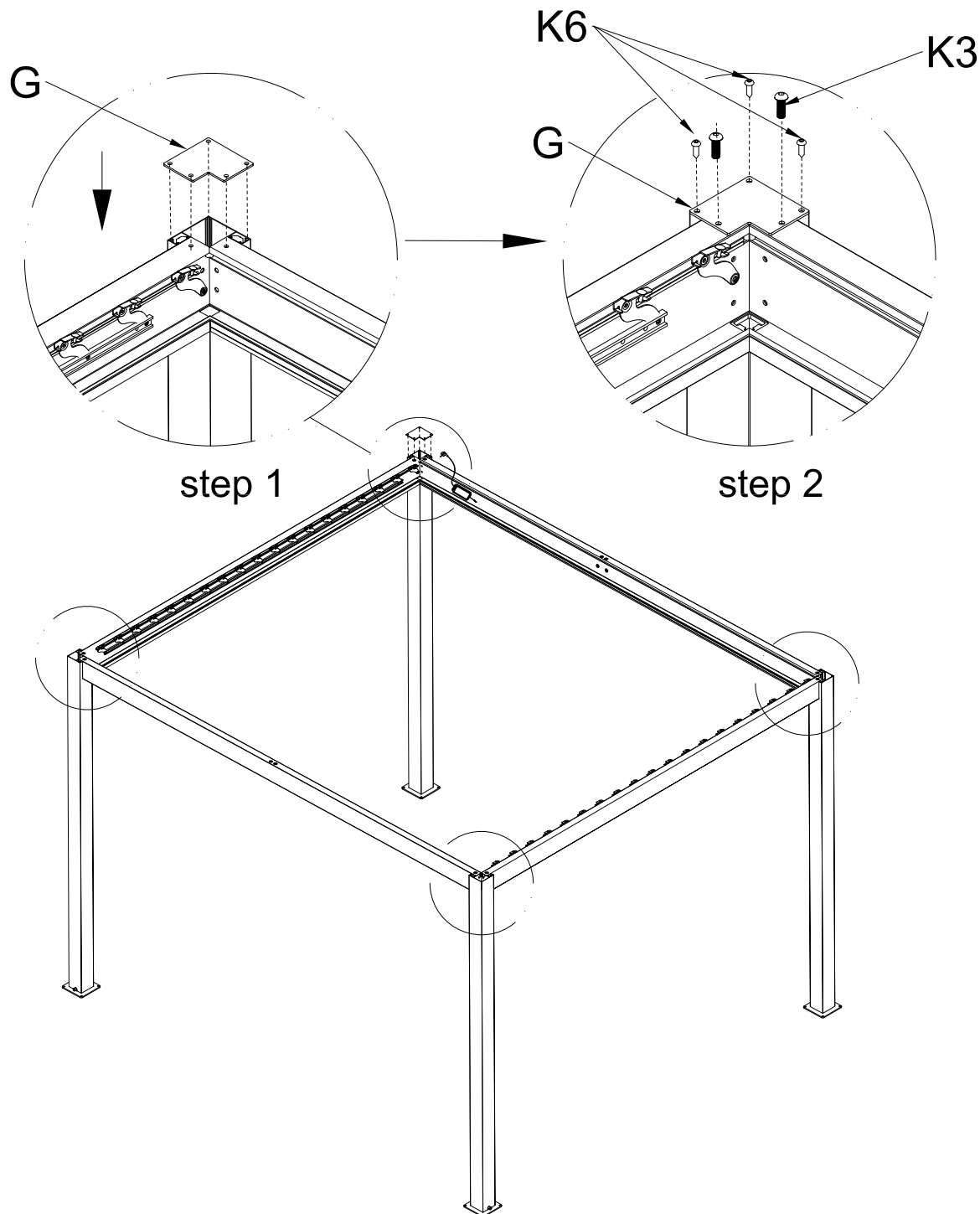
Tighten  
Allen key 6#



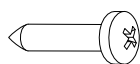


Tighten  
Allen key 6#

5. Install 4 column cover plates G at the connecting angles between columns and beams, then screw on screws K3/ K6 in turn, tighten them, and finally tighten the K2 screw of Step 4.



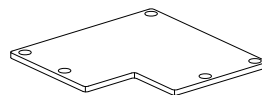
K6



ST5.5\*16

QTY: 12PCS

G



QTY: 4PCS

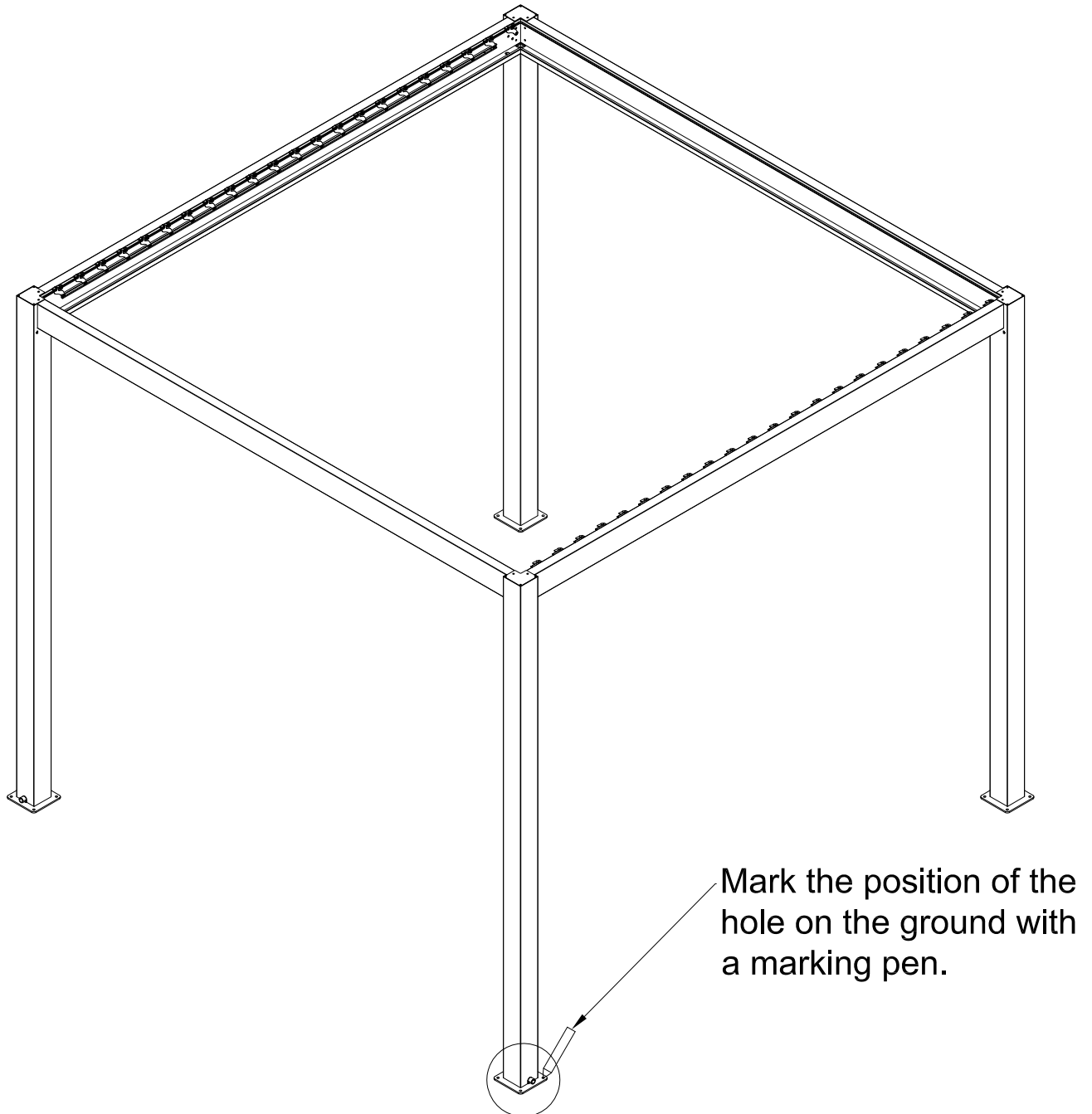
K3



M6\*16

QTY: 8PCS

6. Adjust the position of 4 columns to keep them perpendicular to the ground. At the same time, measure that the width at the top between every 2 columns should be consistent with the width at the bottom of the ground. Then, use a marking pen to mark 16 positions corresponding to the bottom plate connection holes on the ground through the holes on the bottom plate.

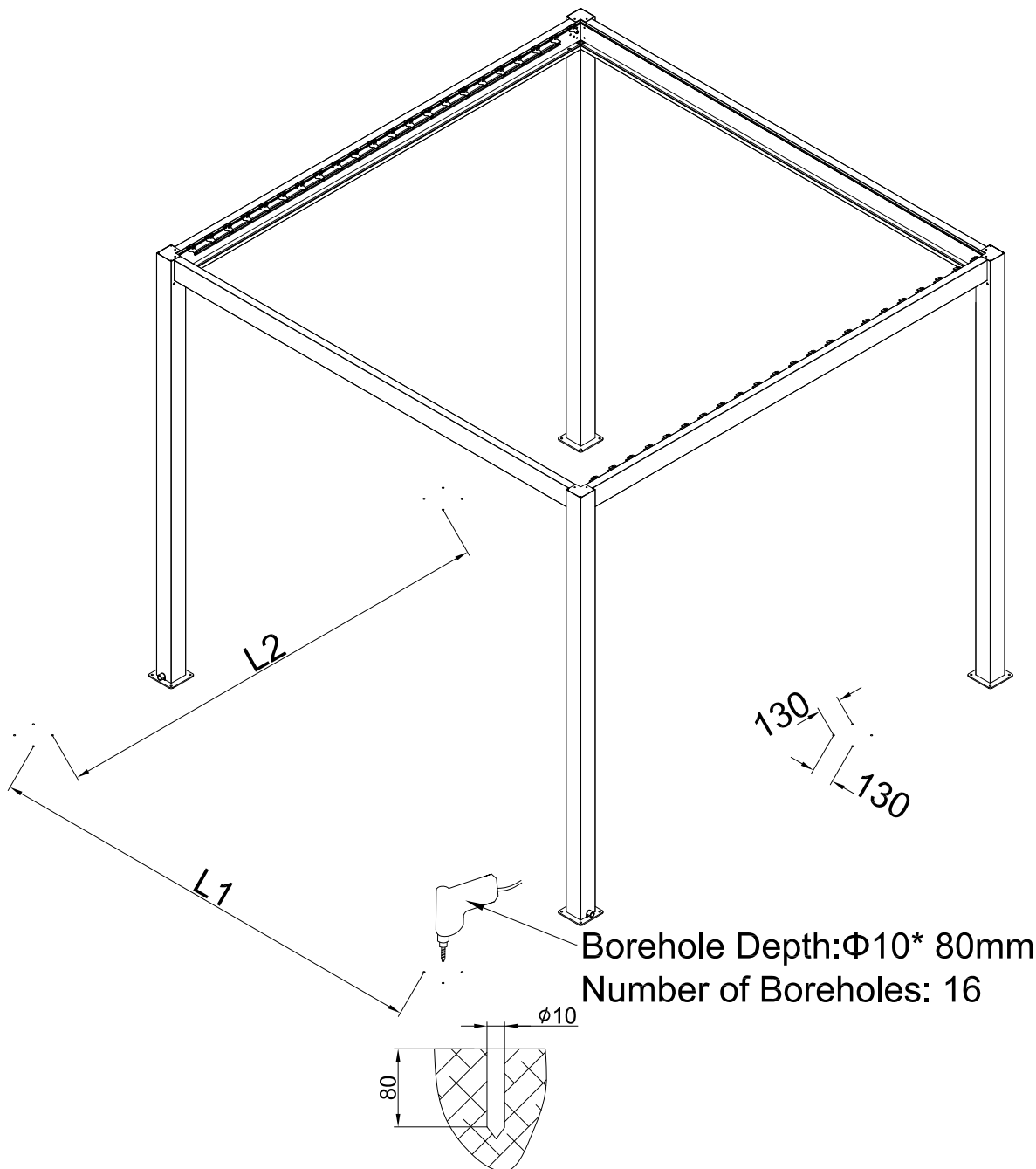


Tools used: Marking pen  
(supplied by the worker)

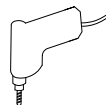


7. Remove the product from the marks and use a percussive drill to drill holes of 10\*80mm respectively at the 16 mark positions on the ground.

Product Specification	L1(MM)	L2(MM)
3*3M	2676	2676
3*4M	2676	3668
4*3M	3668	2676
4*4M	3668	3668

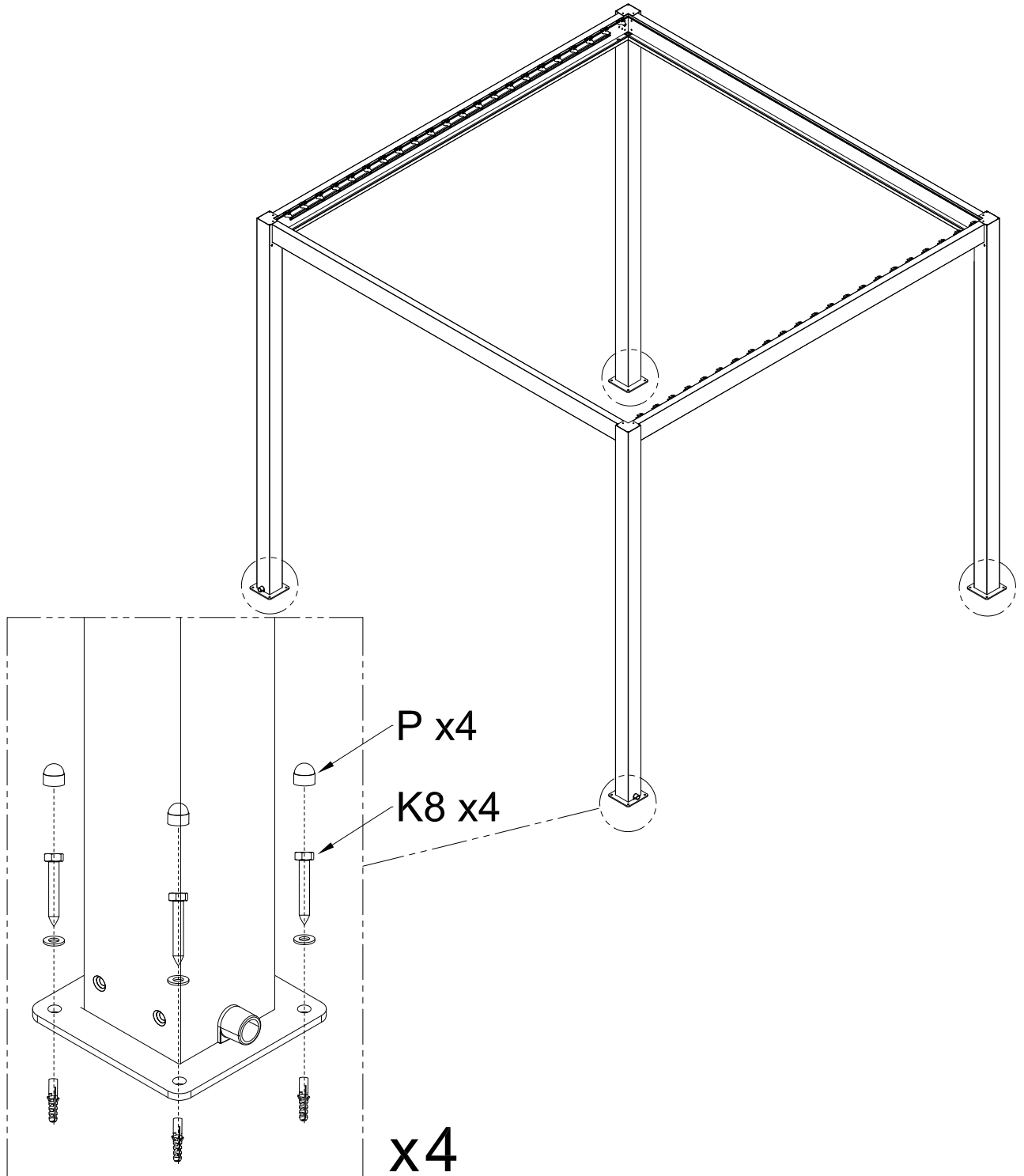


Tools used: Impact Drill  
(supplied by the worker)

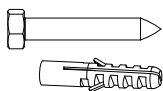


Tools used: Impact Drill Bit 10mm  
(supplied by the worker)

8. Place the plastic expansion pipe into the bottom hole of the upright post, then move the product back to the drilled position and align the bottom holes of the four upright posts with the ground drilling. Then put washers onto the wood screws and fix them to the ground separately.



K8



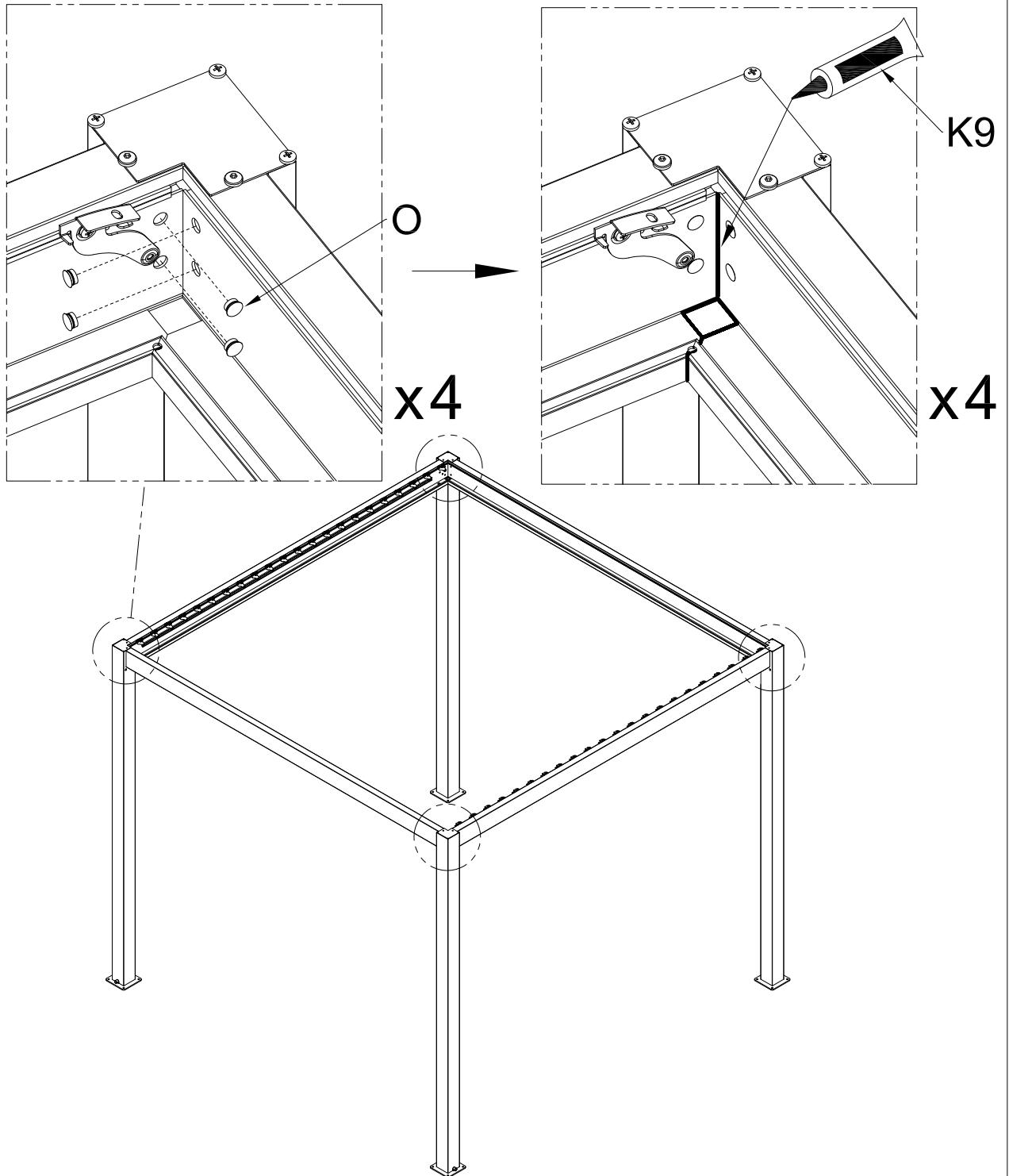
QTY:16PCS

P

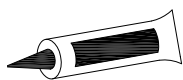


QTY:16PCS

9. Plug the hole plug O at the inner hole of the beam, and evenly apply the glass glue K9 at the surroundings of the water inlets on the 4 corners of the upright column, and at the butt joint of the beam.



K9



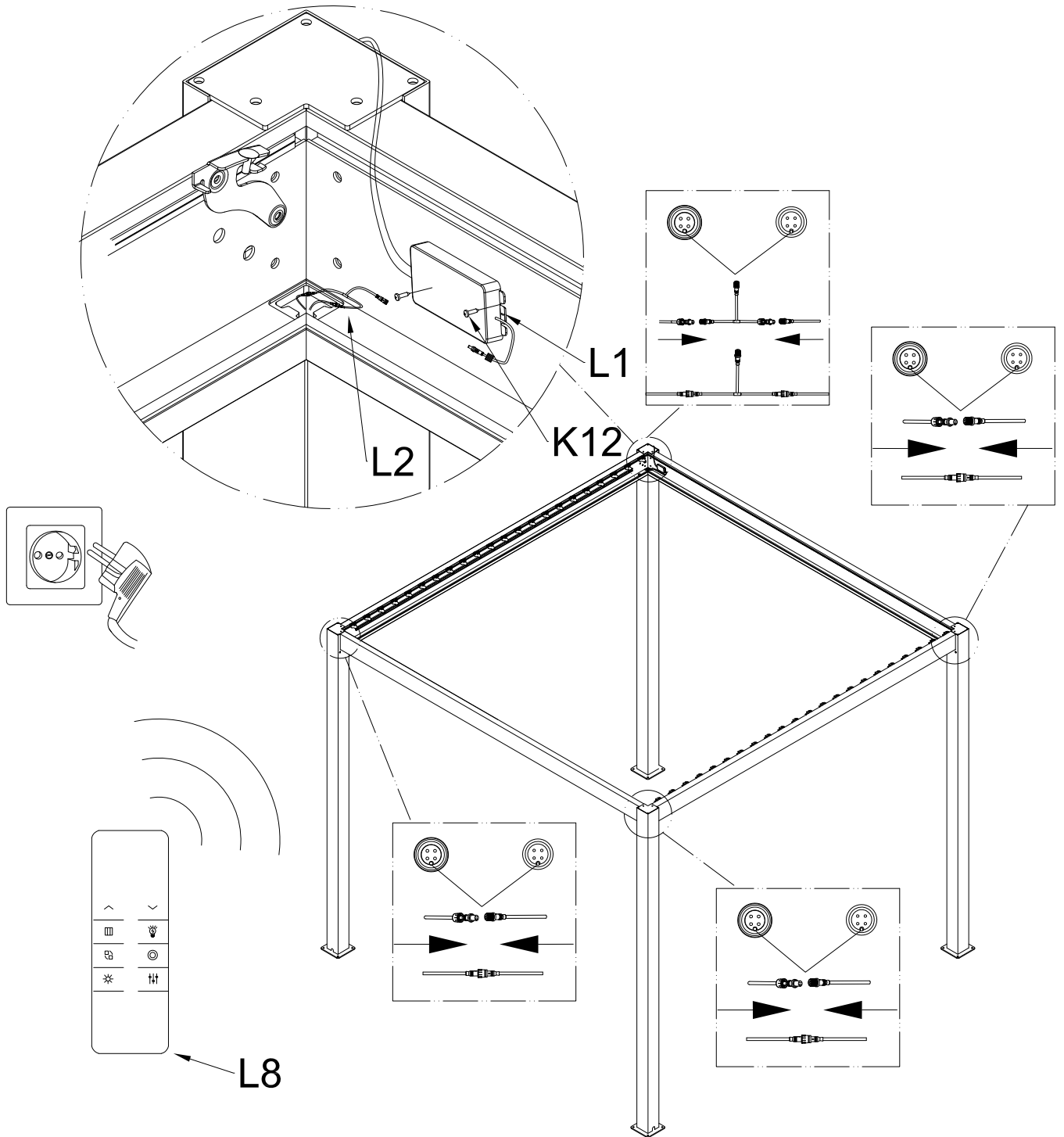
QTY: 1PC

O



QTY: 16PCS

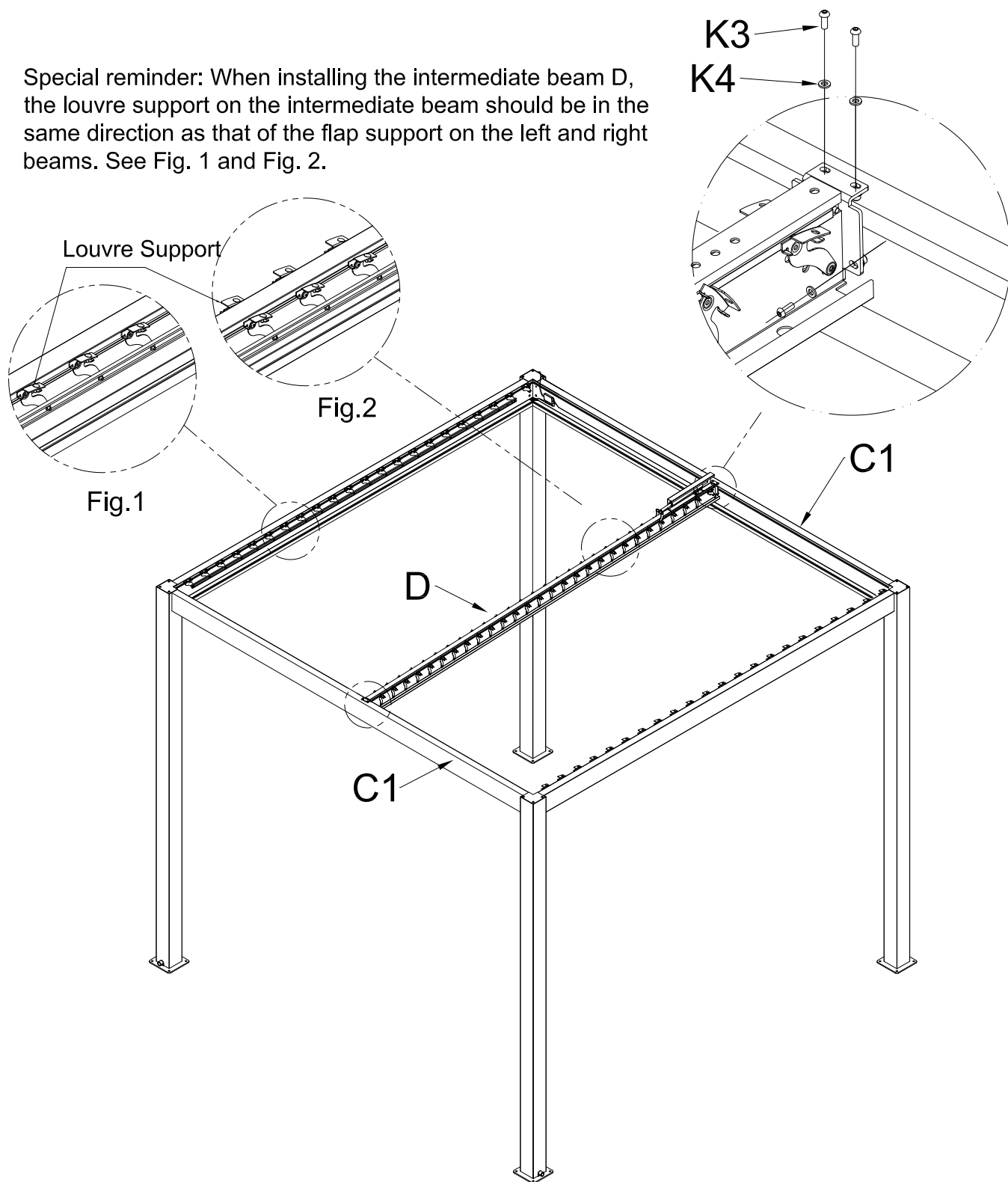
10. Connect the RGB light strip. After connecting the light strip, connect the power, adjust the transmitter, and check if the light strip is running normally.



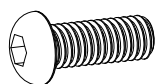
L2		QTY: 1PC
----	--	----------

11.1 Support the intermediate beam D on the front and rear beam C1/C2, connect the intermediate beam D to the front and rear beam C1/C2 with a washer K4 and screw K3. Be careful not to tighten the screw.

Special reminder: When installing the intermediate beam D, the louvre support on the intermediate beam should be in the same direction as that of the flap support on the left and right beams. See Fig. 1 and Fig. 2.



K3



M6\*16

QTY: 8PCS

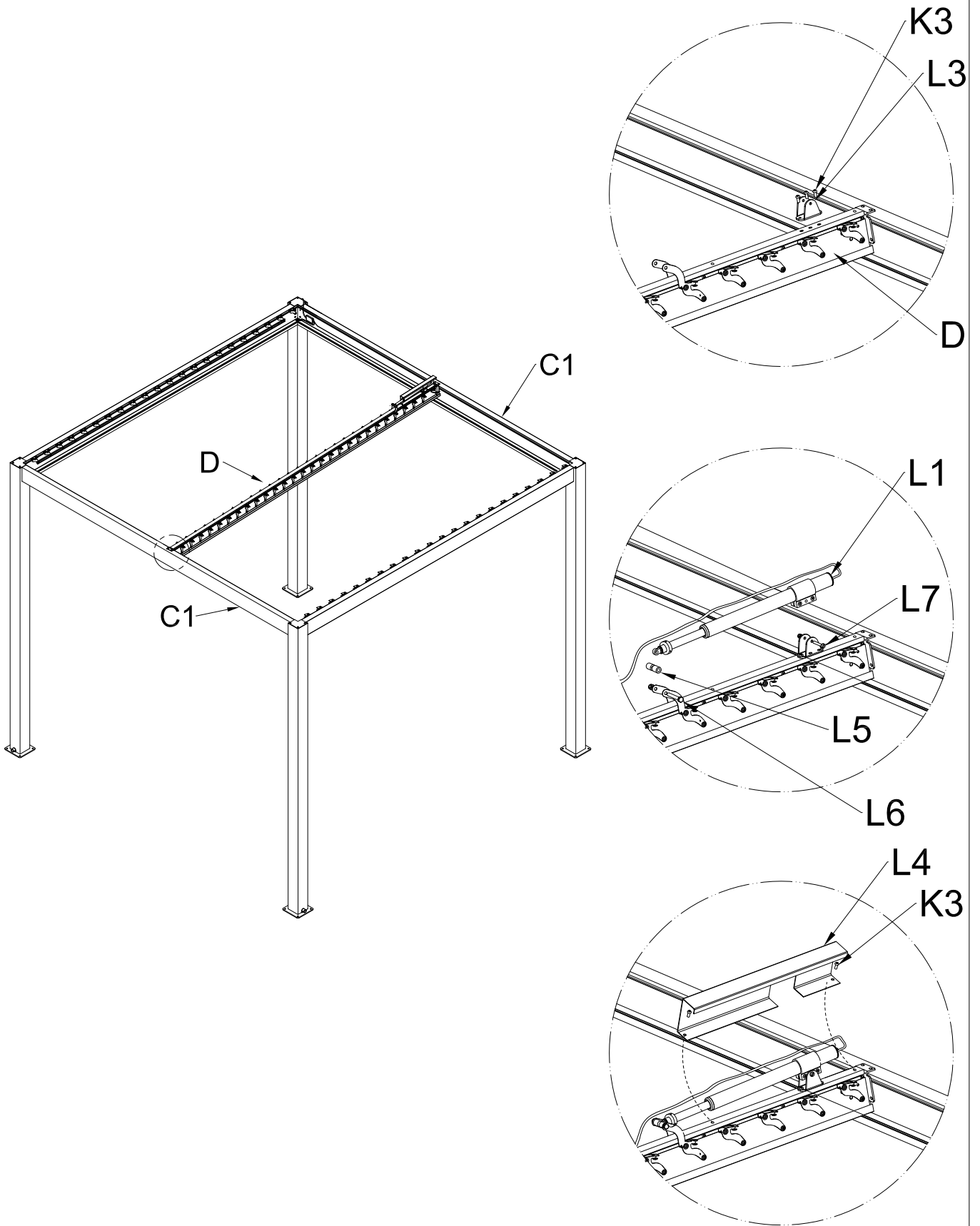
K4



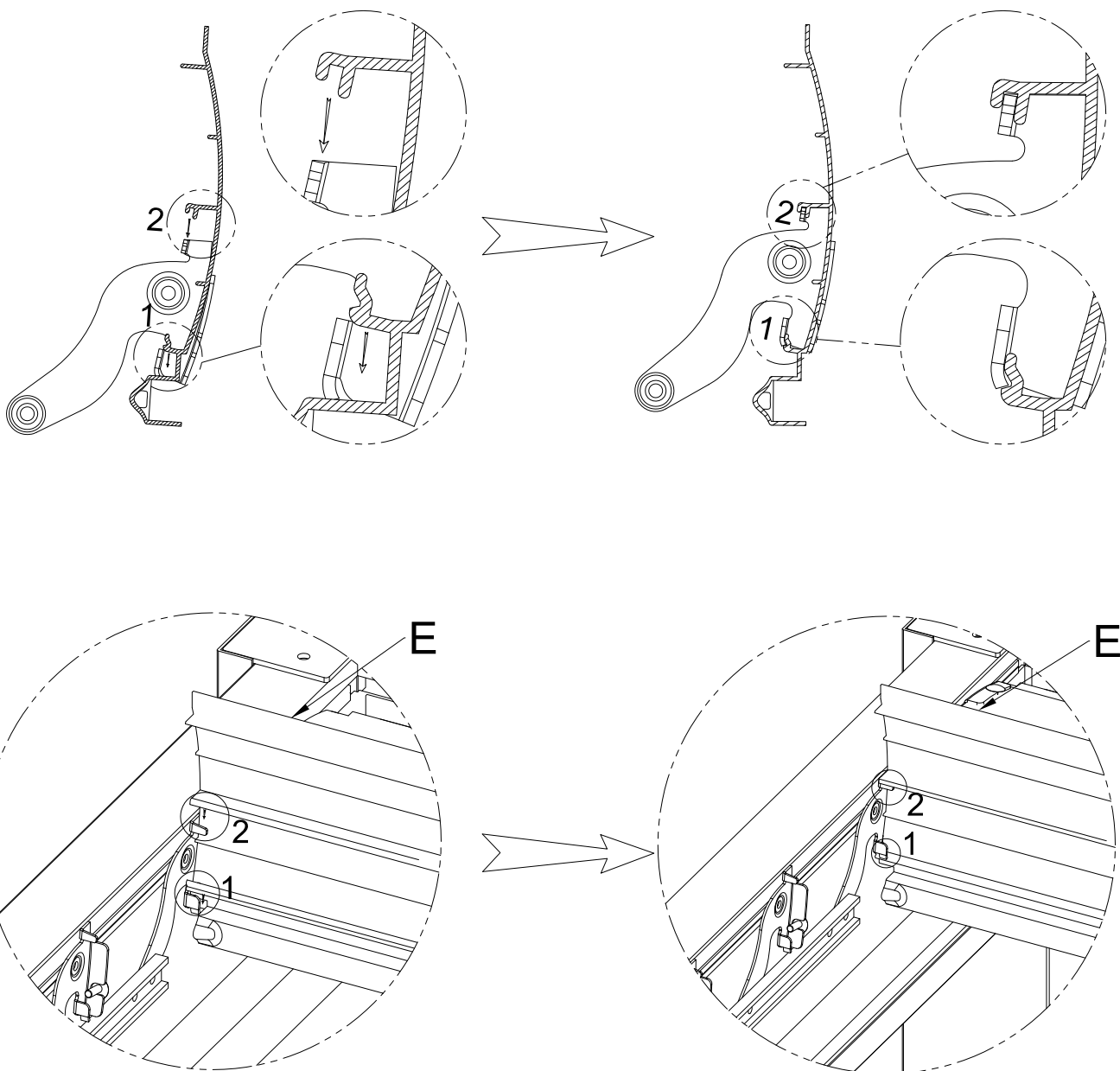
QTY: 8PCS



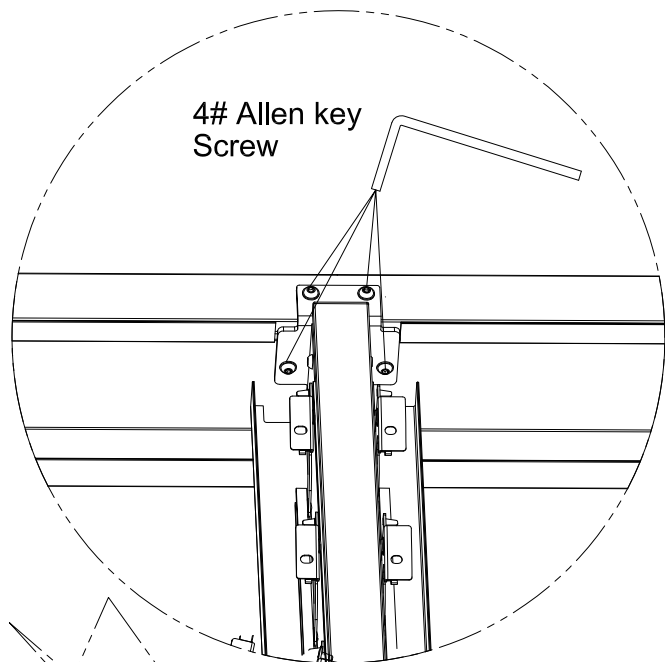
## 11.2 Installing motor components.



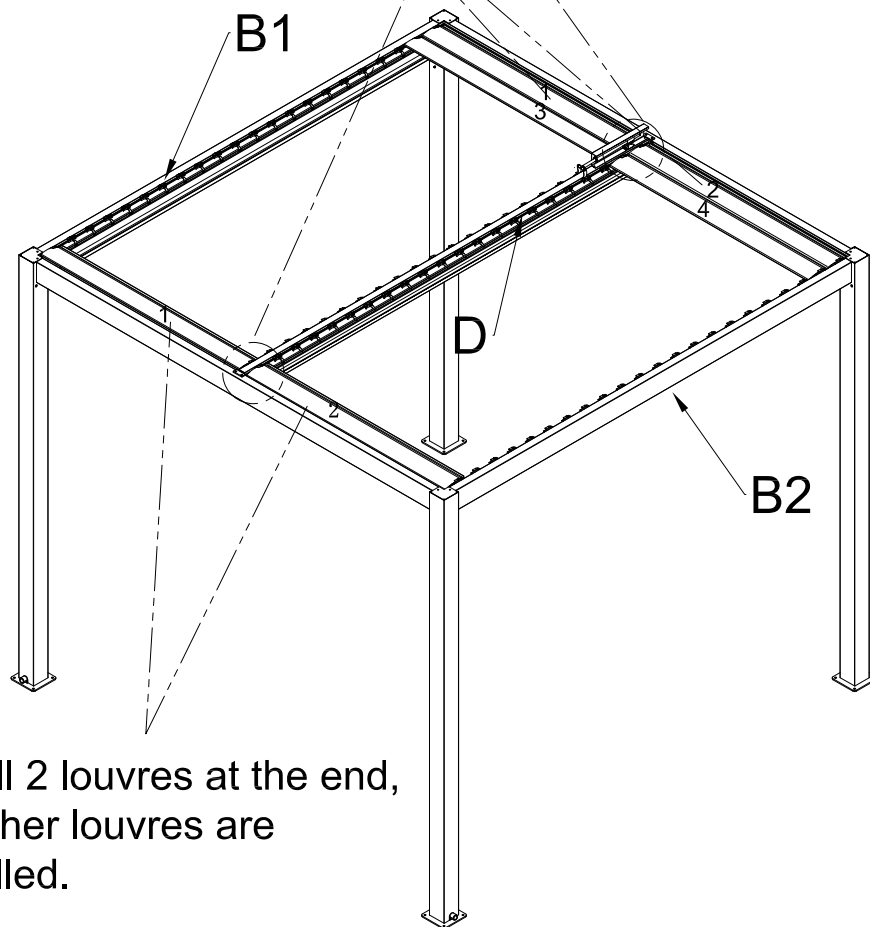
12.1 As shown in the figure, first clip the 6 pcs of louver E onto the tail of the bracket at both ends, then press down the louver to make it clamp and install it in the direction indicated by the arrows of Clamping Position 1 and 2 respectively. Then fasten the louver at the corresponding position as shown in the figure. Check whether it can work smoothly, and then fasten the middle beam with 8 pcs of K3 screws.



12.2 After installing the 6 louvers shown in the diagram, tighten a total of 8 screws in four positions according to the diagram



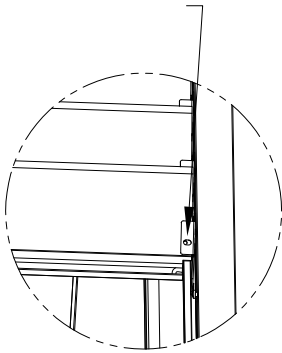
Install the 4 louvers at the gearbox location first, and don't install other louvers.



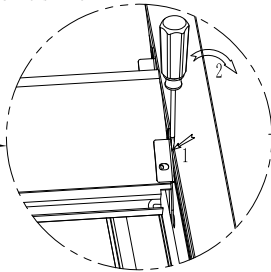
Install 2 louvers at the end, no other louvers are installed.

# 13. Install plastic plugs at both ends of each louvre.

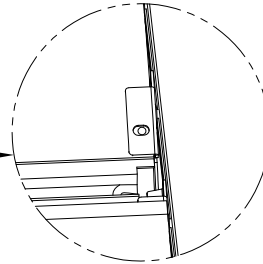
Step 1. As shown in the figure, if the holes are not aligned, they need to be adjusted.



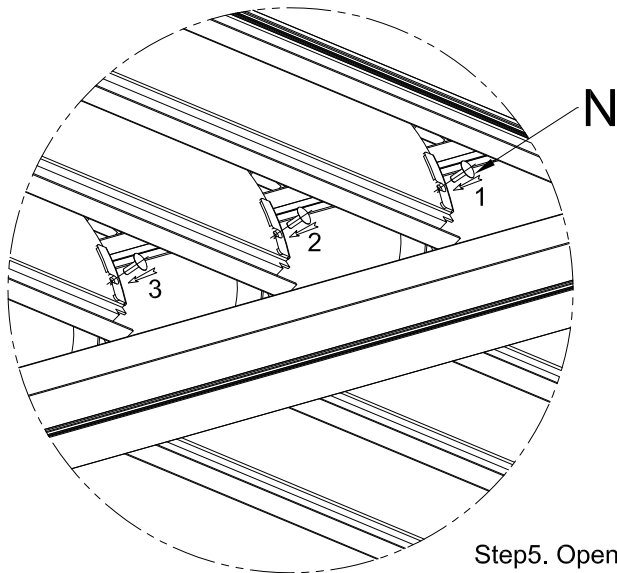
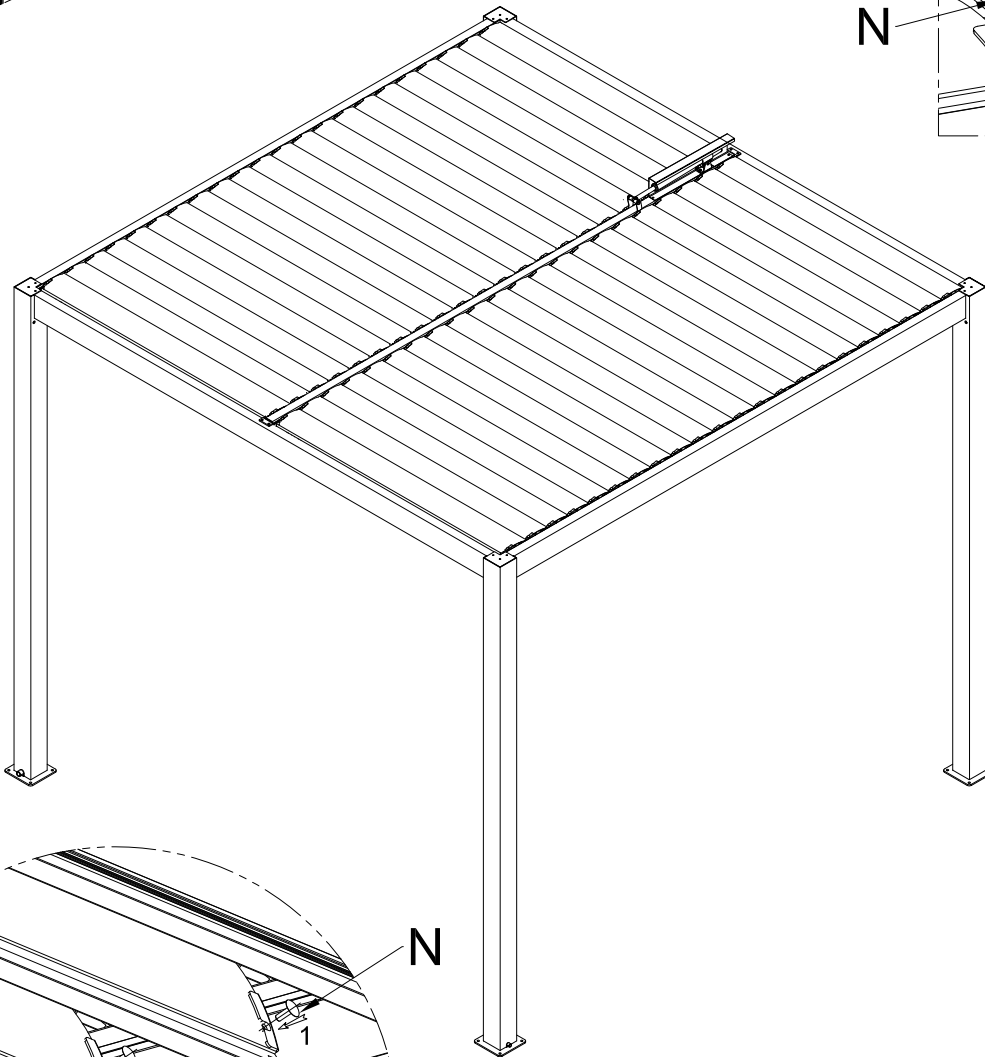
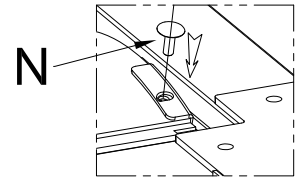
Step 2. As shown in the figure, insert a screwdriver at point 1 and pry up the louvre support as shown in direction 2 so that the hole of the louvre support aligns with the center of the hole of the louvre.



Step 3. After adjustment, the holes of the louvre support align with the center of the holes of the louvre.



Step 4. Install the plastic plug N on the fixed louvre of the frontmost face according to the illustration in the box.



Step 5. Open the louvre halfway and insert the plastic plug(N) into the plug installation holes at both ends of the louvre as shown in the figure within the circle.

14. Connect the power, adjust the remote control L8, and change the color of the light bar. Test opening and closing, installation completed.

