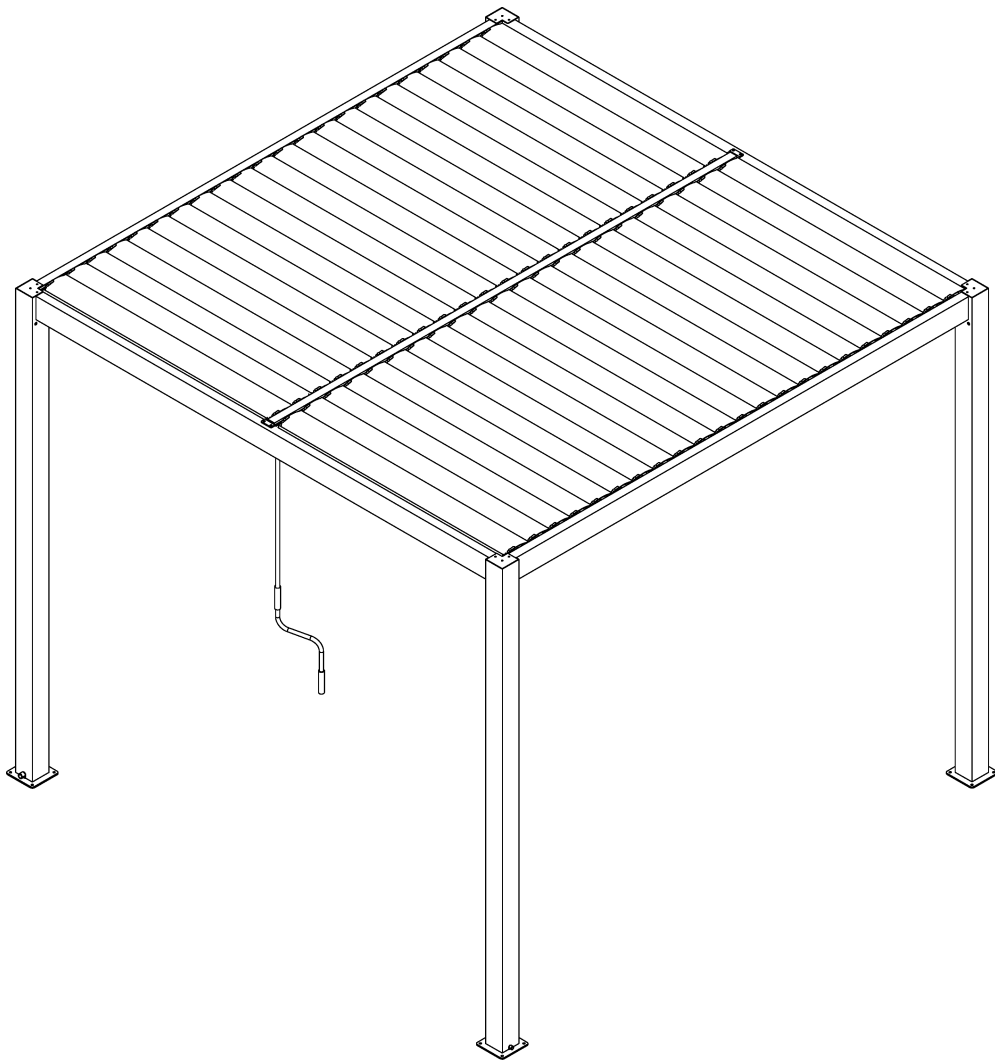


Aluminium Louvered Pergola

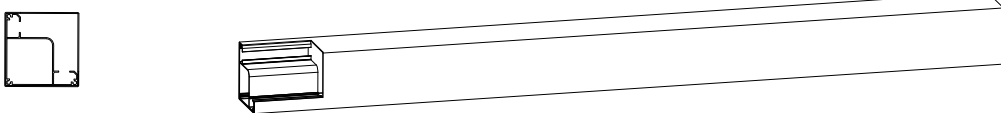
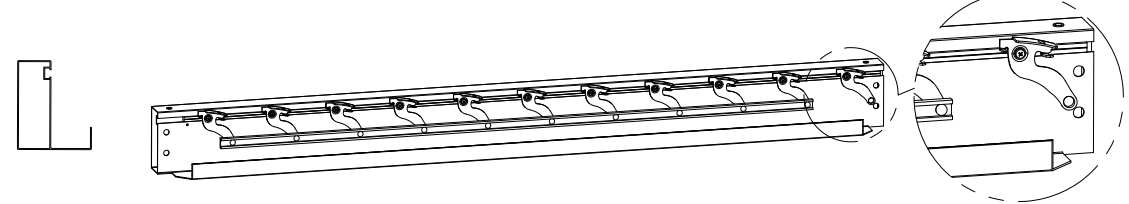
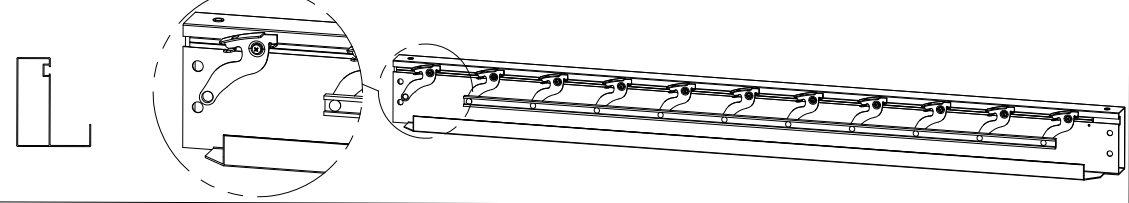
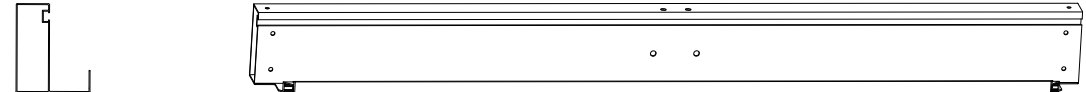
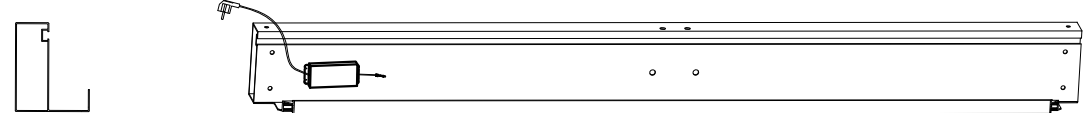
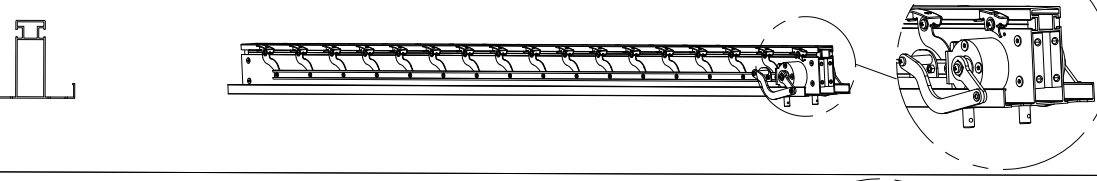
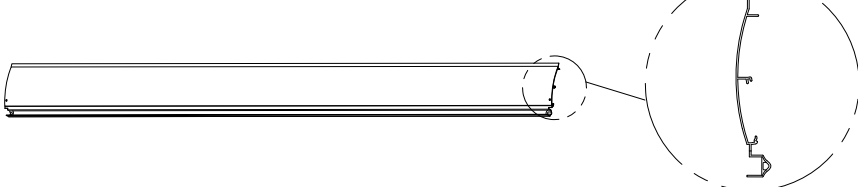
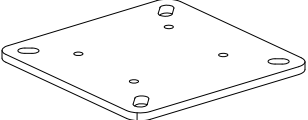
Instruction Manual



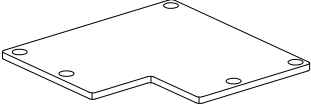
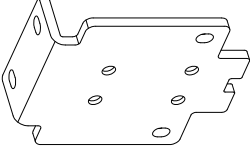
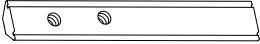


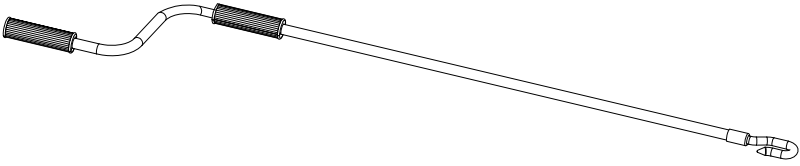


3x3m	REF	QTY	REF	QTY	REF	QTY
Carton 1/3	A	4PCS	F	4PCS	G	4PCS
	H	2PCS	I	8PCS	J	8PCS
	L	2PCS	K1	8PCS	K2	16PCS
	K3	16PCS	K4	8PCS	K5	16PCS
	K6	12PCS	K7	2PCS	K8	16PCS
	K9	1PC	K10	1PC	K11	1PC
	K12	1PC	N	88PCS	O	16PCS
	P	16PCS	Q	4PCS	Manual utilisateur	1SET
Carton 2/3	B1	1PC	B2	1PC	C1	1PC
	C2	1PC	D	1PC	M	1PC
Carton 3/3	E	44PCS				

3x4m	REF	QTY	REF	QTY	REF	QTY
Carton 1/4	A	4PCS	F	4PCS	G	4PCS
	H	2PCS	I	8PCS	J	8PCS
	L	2PCS	K1	8PCS	K2	16PCS
	K3	16PCS	K4	8PCS	K5	16PCS
	K6	12PCS	K7	2PCS	K8	16PCS
	K9	1PC	K10	1PC	K11	1PC
	K12	1PC	N	120PCS	O	16PCS
	P	16PCS	Q	4PCS	Manual utilisateur	1SET
Carton 2/4	B1	1PC	B2	1PC	C1	1PC
	C2	1PC	D	1PC	M	1PC
Carton 3/4	E	30PCS		Carton 4/4	E	30PCS


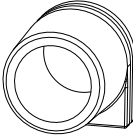
Bill of Materials List

REF	PHOTO	QTY
A		4
B1		1
B2		1
C1		1
C2		1
D		1
E		$3 \times 3 = 44$ $4 \times 3 = 44$ $3 \times 4 = 60$ $4 \times 4 = 60$
F		4

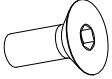
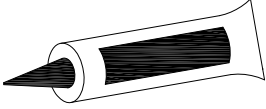
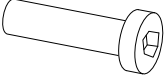
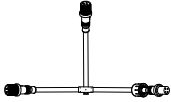
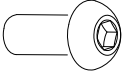
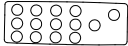


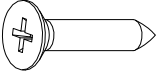
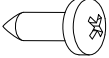
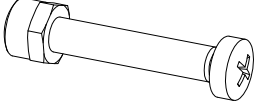
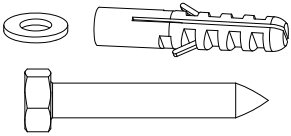
Bill of Materials List

REF	PHOTO	QTY
G		4
H		2
I		8
J		8
L		2
M		1
N		$3 \times 3 = 88$ $4 \times 3 = 88$ $3 \times 4 = 120$ $4 \times 4 = 120$
O		16

Bill of Materials List

REF	PHOTO	QTY
P		16
Q		4

Bill of Materials List

REF	PHOTO	QTY	REF	PHOTO	QTY
K1	 M6*16	8	K9		1
K2	 M8*25	16	K10		1
K3	 M6*16	16	K11		1
K4	 φ6*1	8	K12		1
K5	 ST5.5*32	16			
K6	 ST5.5*16	12			
K7	 M4&M4*20	2			
K8	 φ8 & φ10*50 & M8*75	16			

Kinder Reminder

General Guidelines

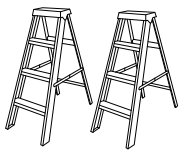
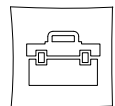
- Please keep this manual for future use after you install the pergola;
- Please read the following instruction carefully before assembly;
- This manual may not include every details and considerable steps;
- Please contact us when you need further information or any help

Kind Notes

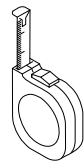
·Please do not allow snow to accumulate on the louver roof. If moderate or heavy snow is expected to coming, do open the louvers, also does it in the conditions of high winds or other extreme weather conditions.

·Please open the louvers and raise or remove any shade screen accessories that have been installed to avoid potential damage to the pergola when bad weather comes.

What you may need?



Ladder x2



Tapeline



Mallet

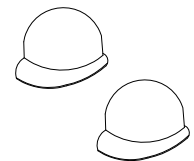


Glove

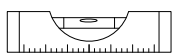


Ø10mm

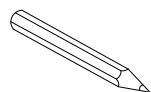
electric screw driver



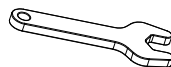
Safety hat x2



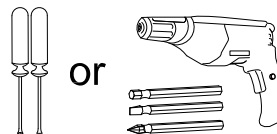
Level



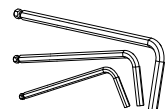
Marker Pen



Adjustable wrench



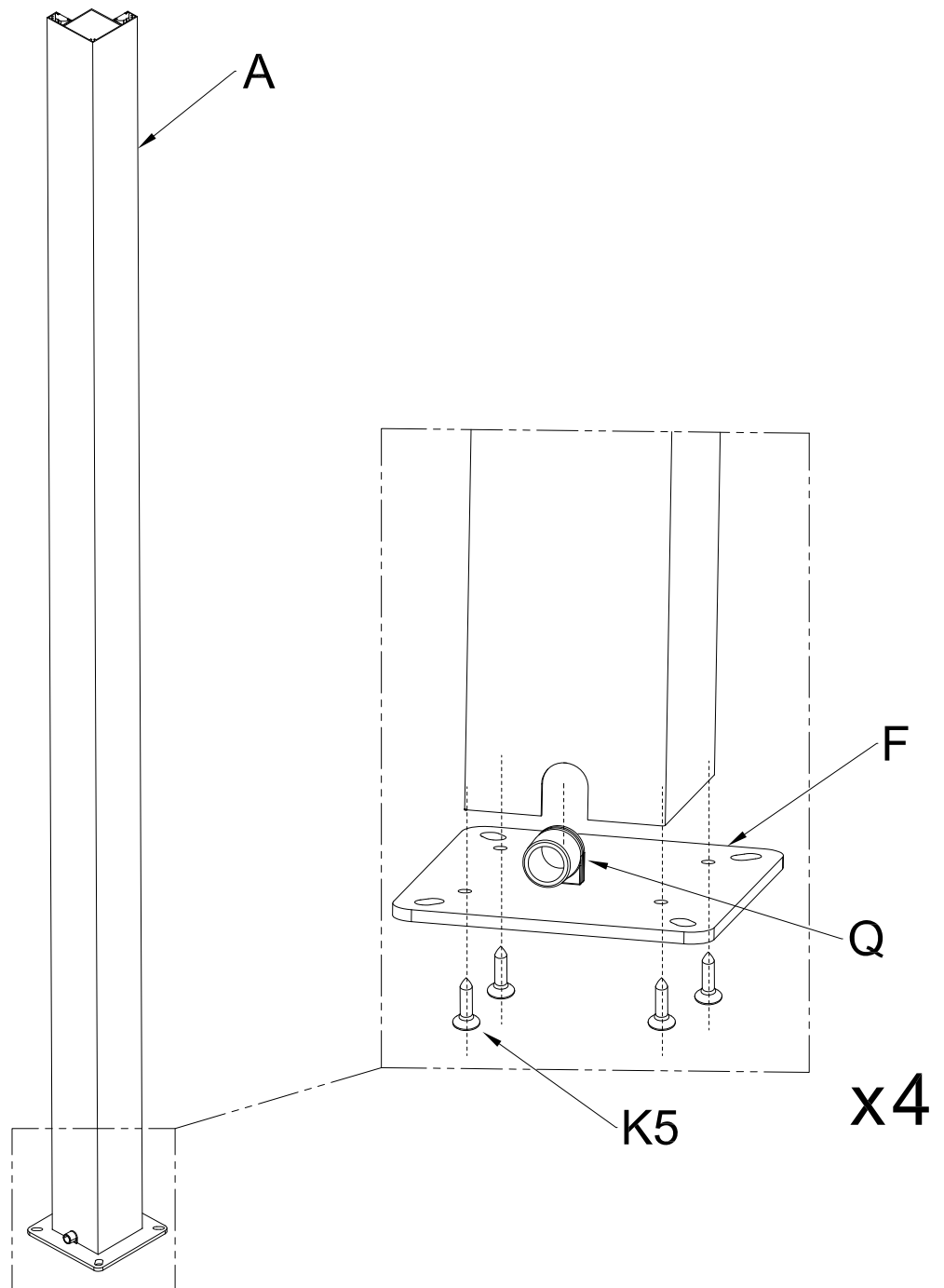
screwdriver or electric screwdriver

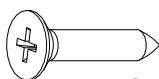
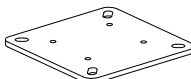



Allen key

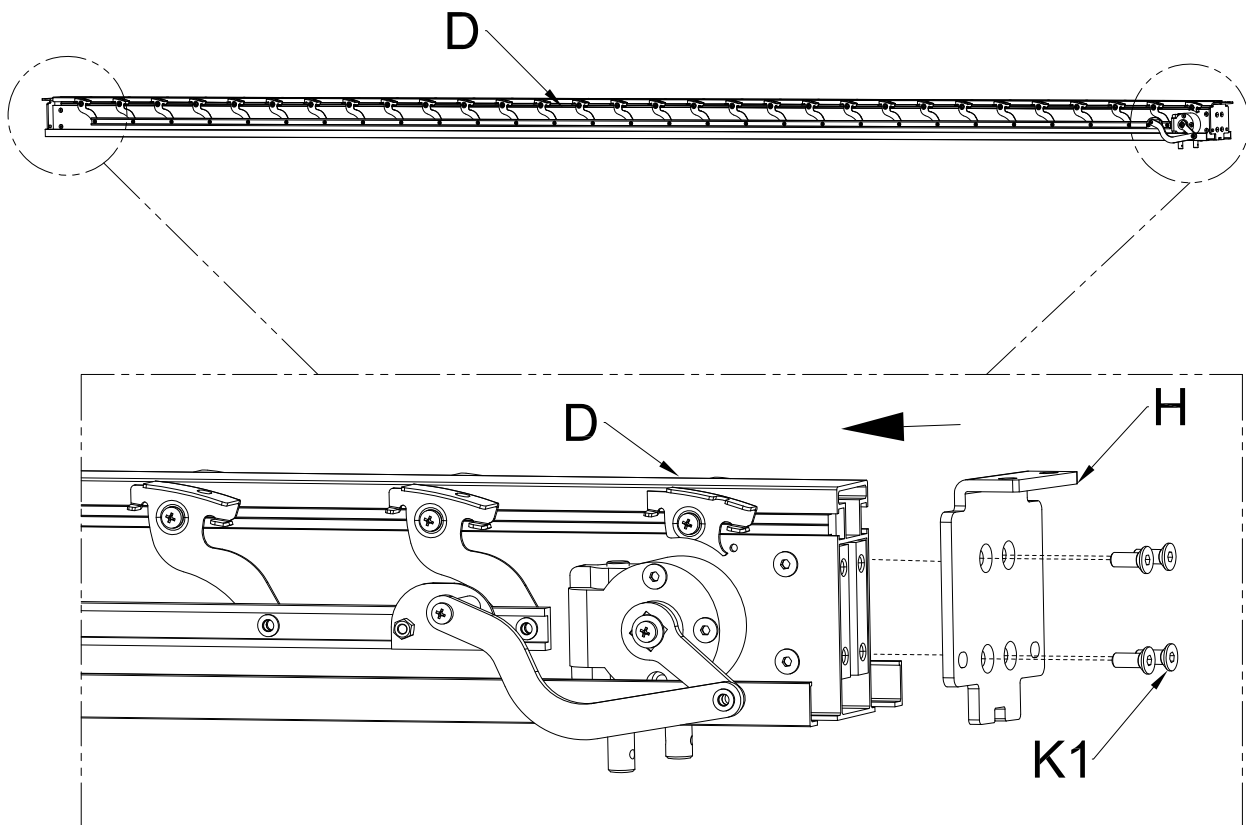
Step-by-step Instructions for Installation

1. Install the bottom plate F of the column and the drainage joint Q on the column, and then tighten the screw K5 to fix it.



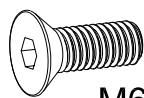
K5	 ST5.5*32	QTY: 16PCS	F		QTY: 4PCS
Q		QTY: 4PCS			

2. Install the middle beam connector H at one end of the middle beam D, and fix it with screw K1. Finish the other end.



x2

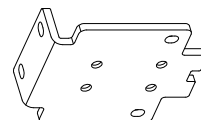
K1



M6*16

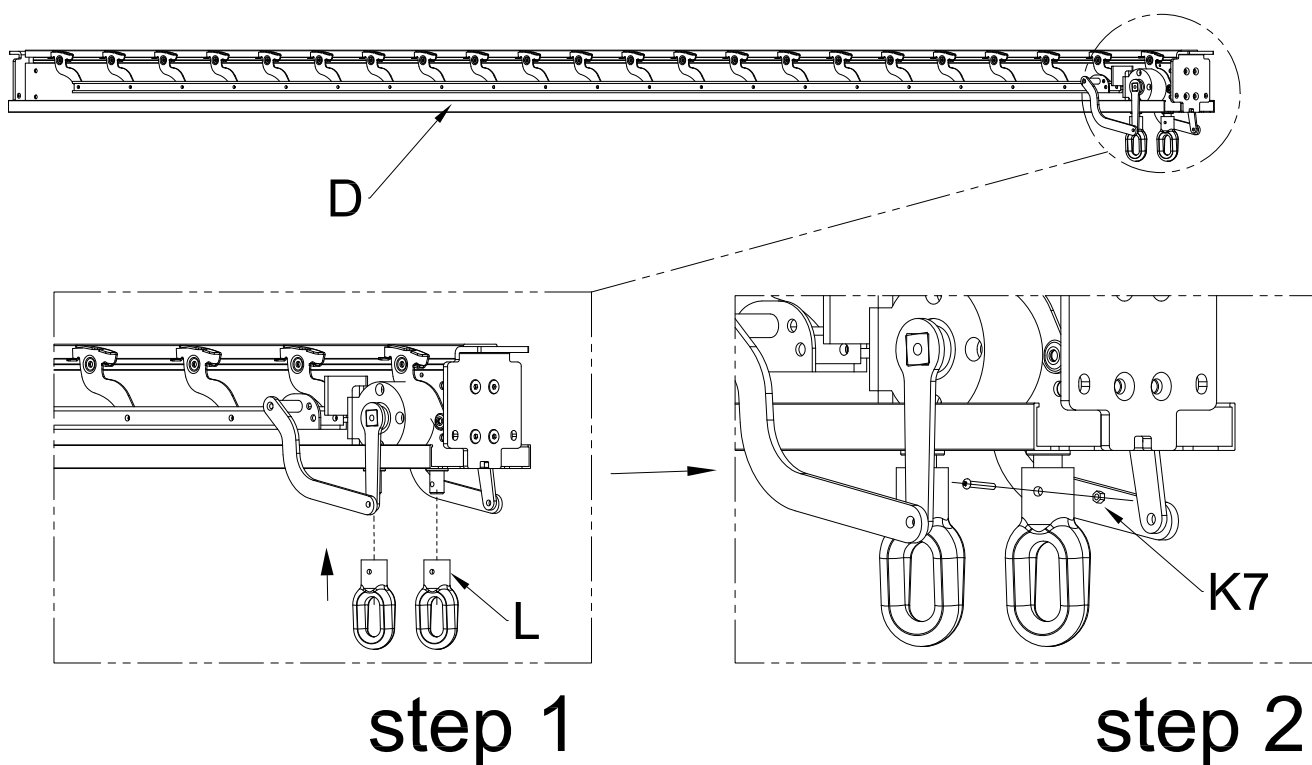
QTY : 8PCS

H



QTY : 2PCS

3. Install two rocker hinge L onto gearbox transmission shaft on middle cross beam D respectively and screw on the screw nut K7 for fixing.



L

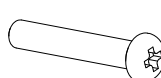


QTY:2PCS

K7



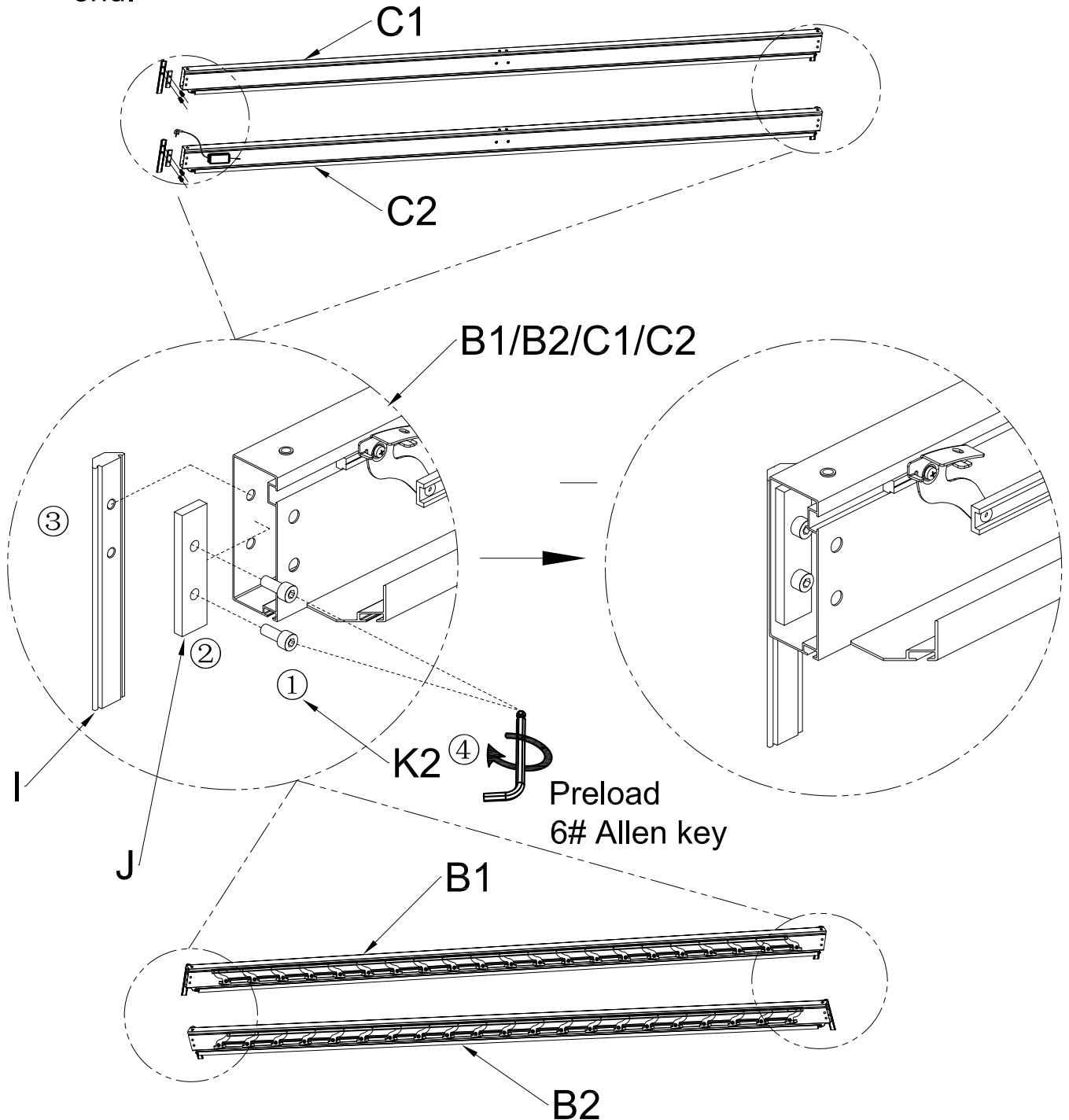
M4



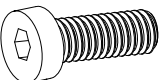


M4*20

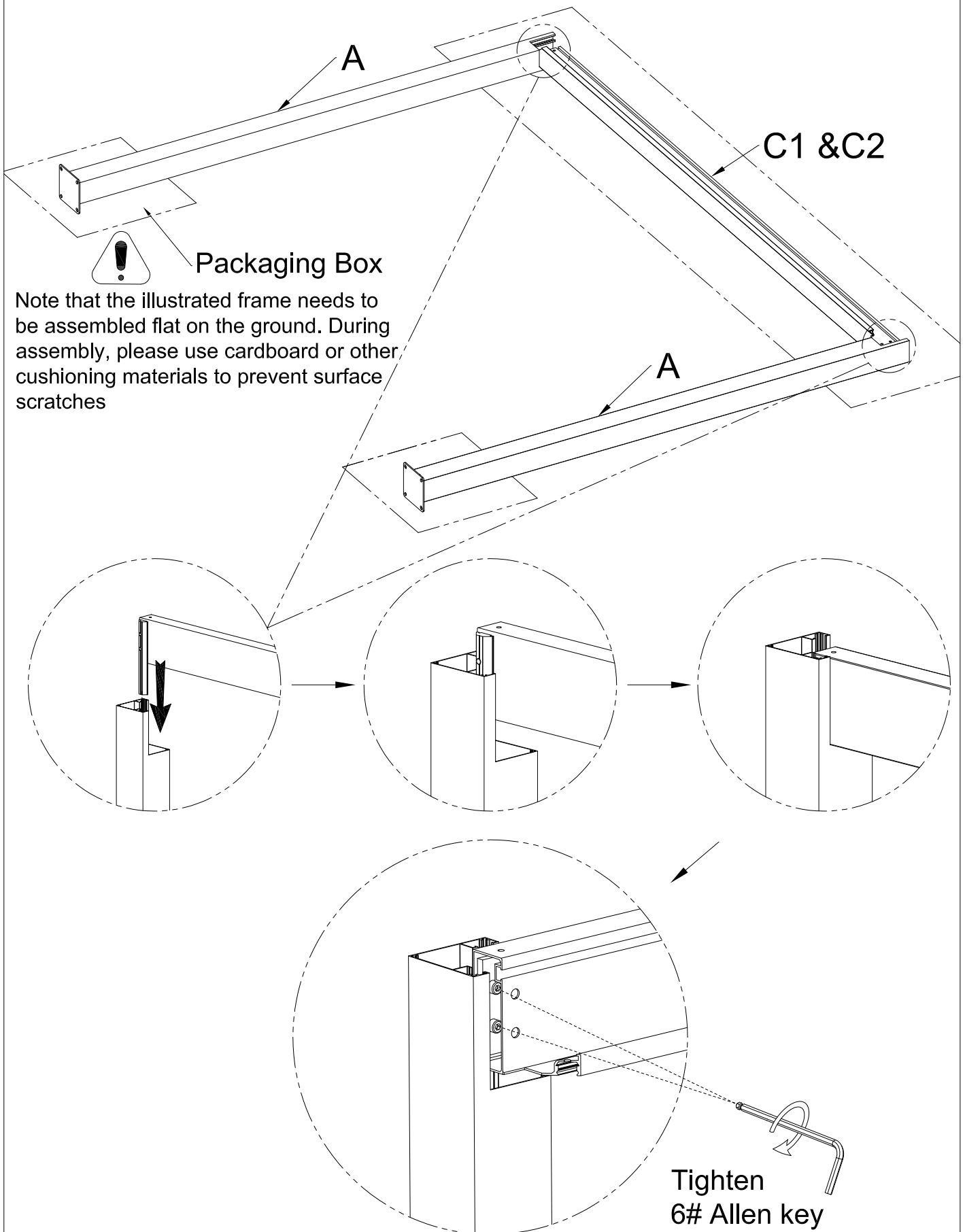
QTY:2PCS

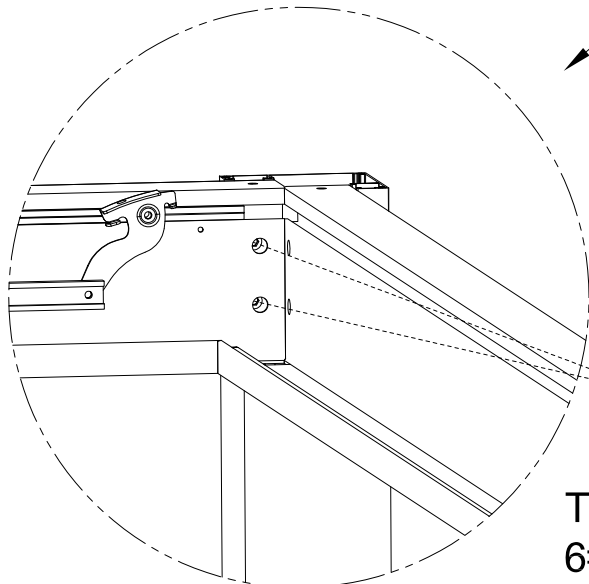
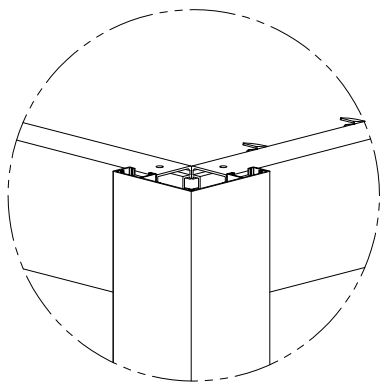
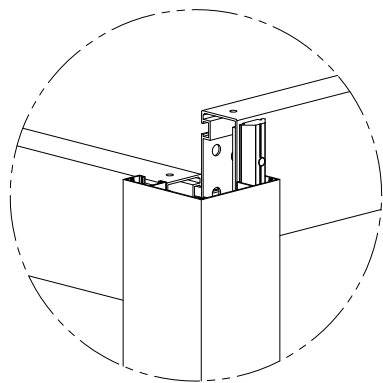
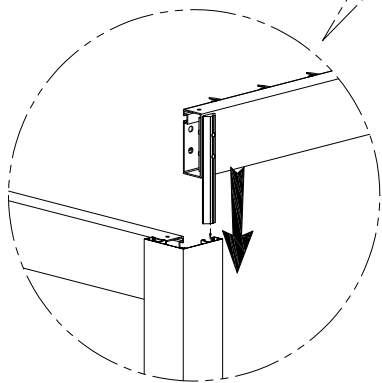
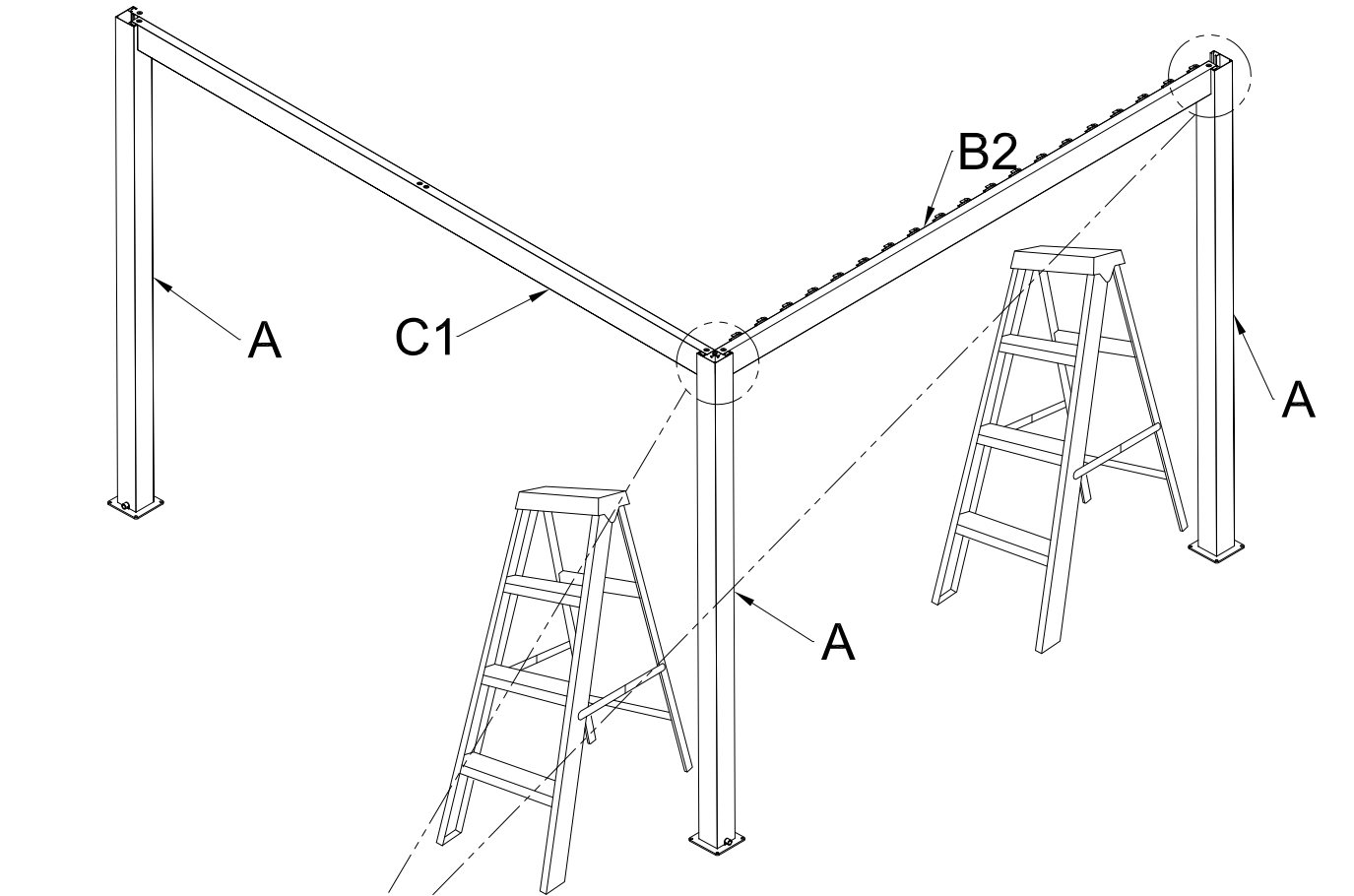
4. Place the pressing block 1 (J) inside the cross beam B1/B2/C1/C2, place the corner nut rod (I) outside the cross beam B1/B2/C1/C2, align the corresponding holes, connect the pressing block 1 (J), corner nut rod (I), and cross beam B1/B2/C1/C2 with K2 screws, don't tighten the K2 screws (empty space: 3-5mm), and complete the other end.



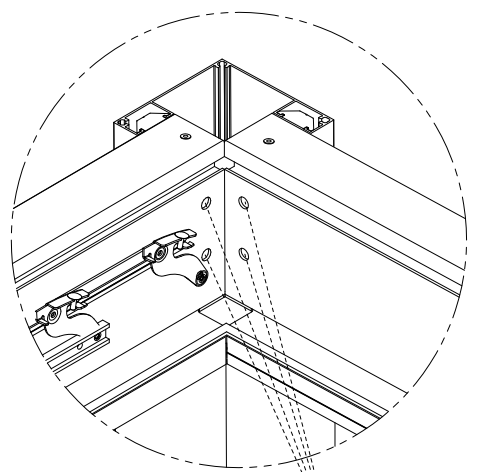
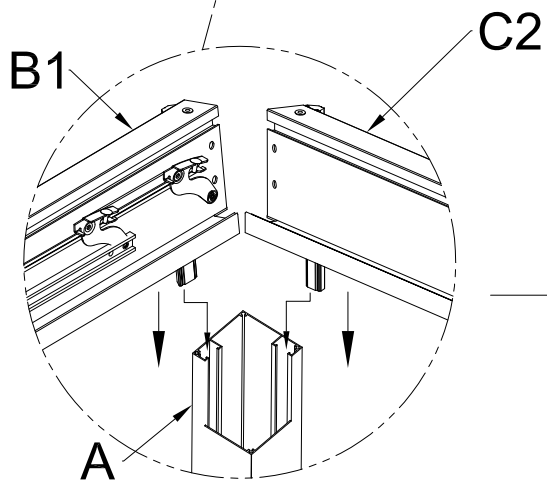
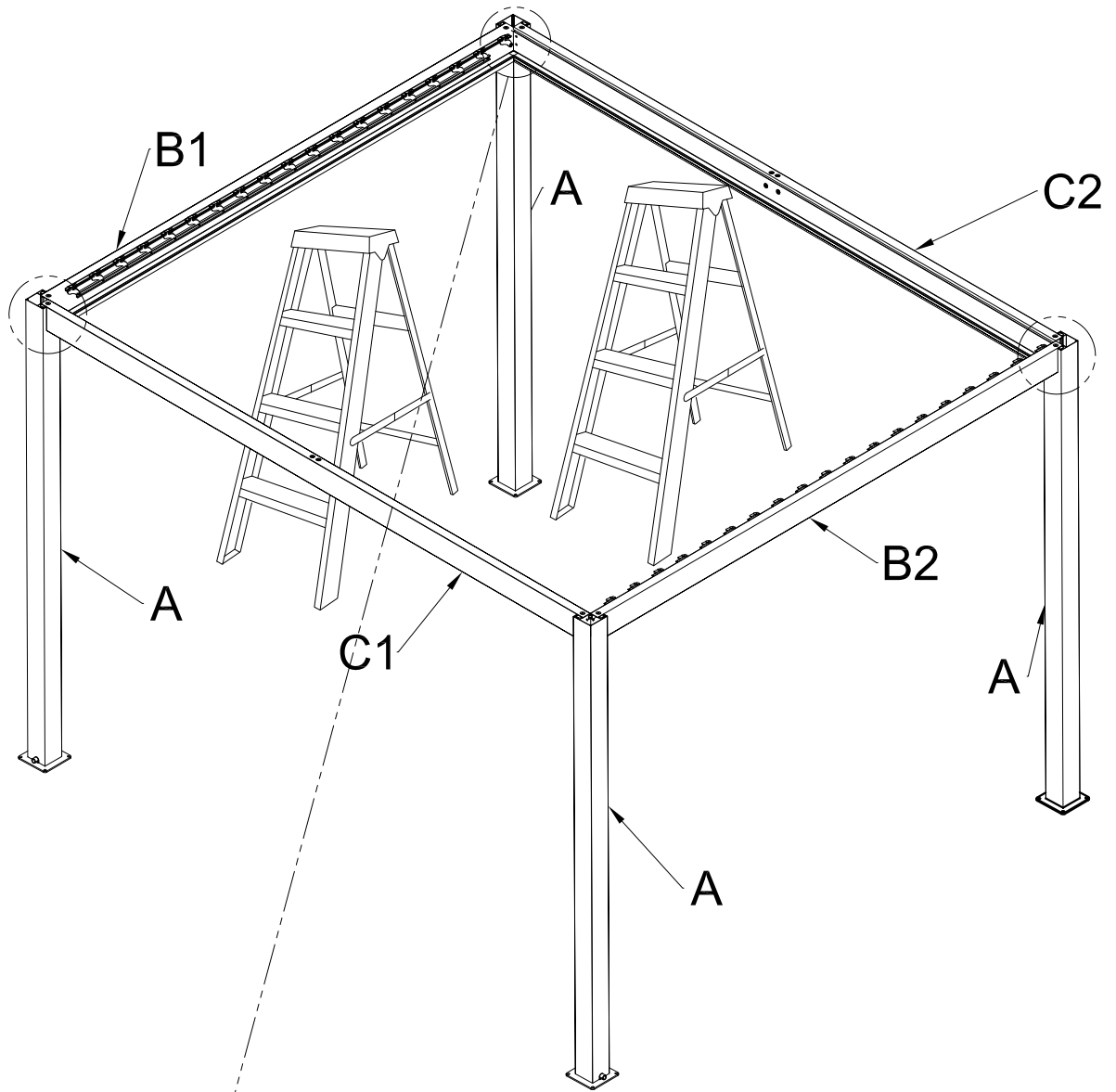
I		QTY: 8PCS	J		QTY: 8PCS
K2	 M8*25	QTY: 16PCS			

5. Assembling crossbeams and columns.



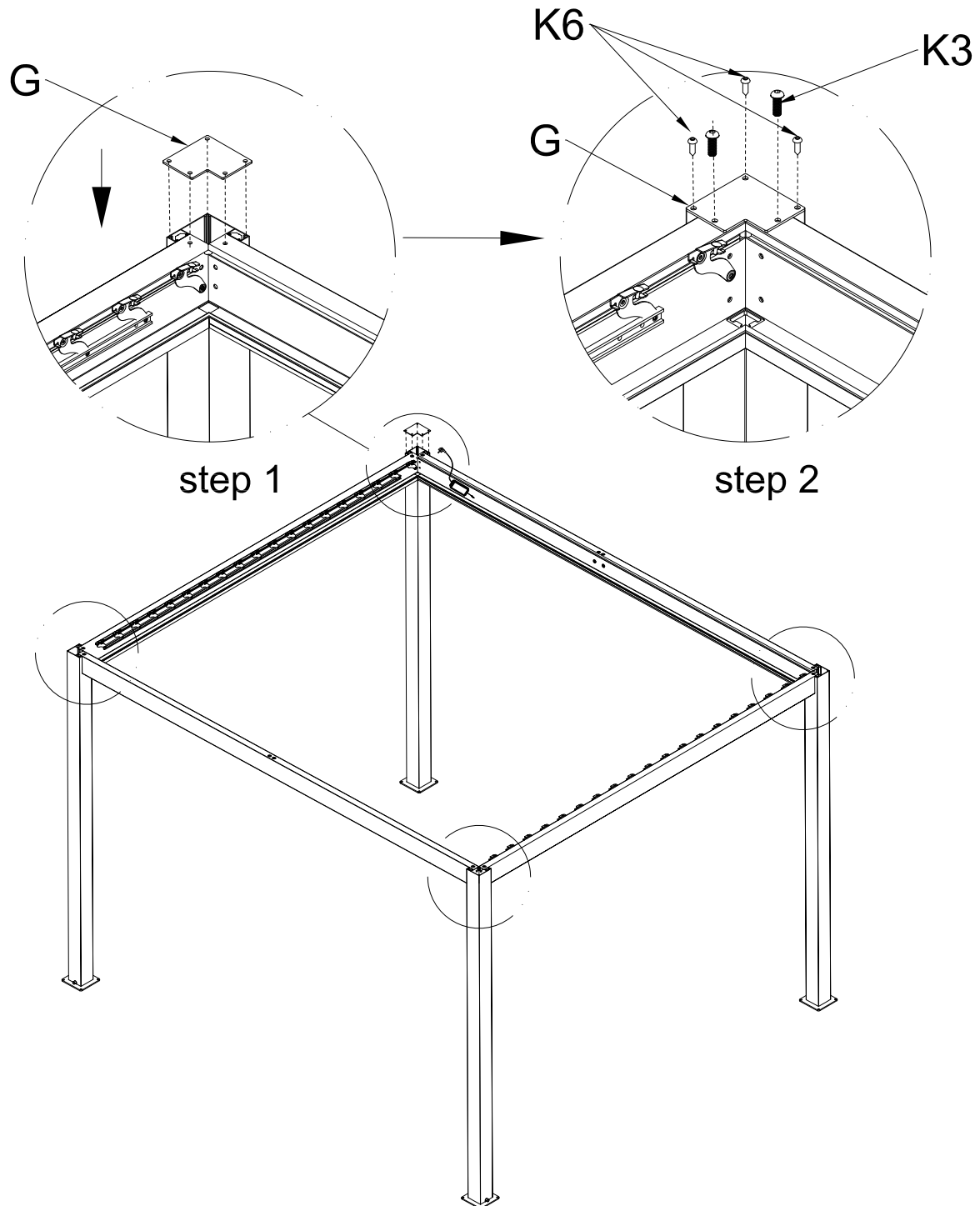


Tighten
6# Allen key

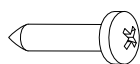


Tighten
6# Allen key

6. Install 4 column cover plates G at the connecting angles between columns and beams, then screw on screws K3/ K6 in turn, tighten them, and finally tighten the K2 screw of Step 4.



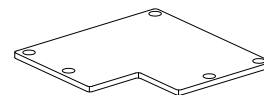
K6



ST5.5*16

QTY: 12PCS

G



QTY: 4PCS

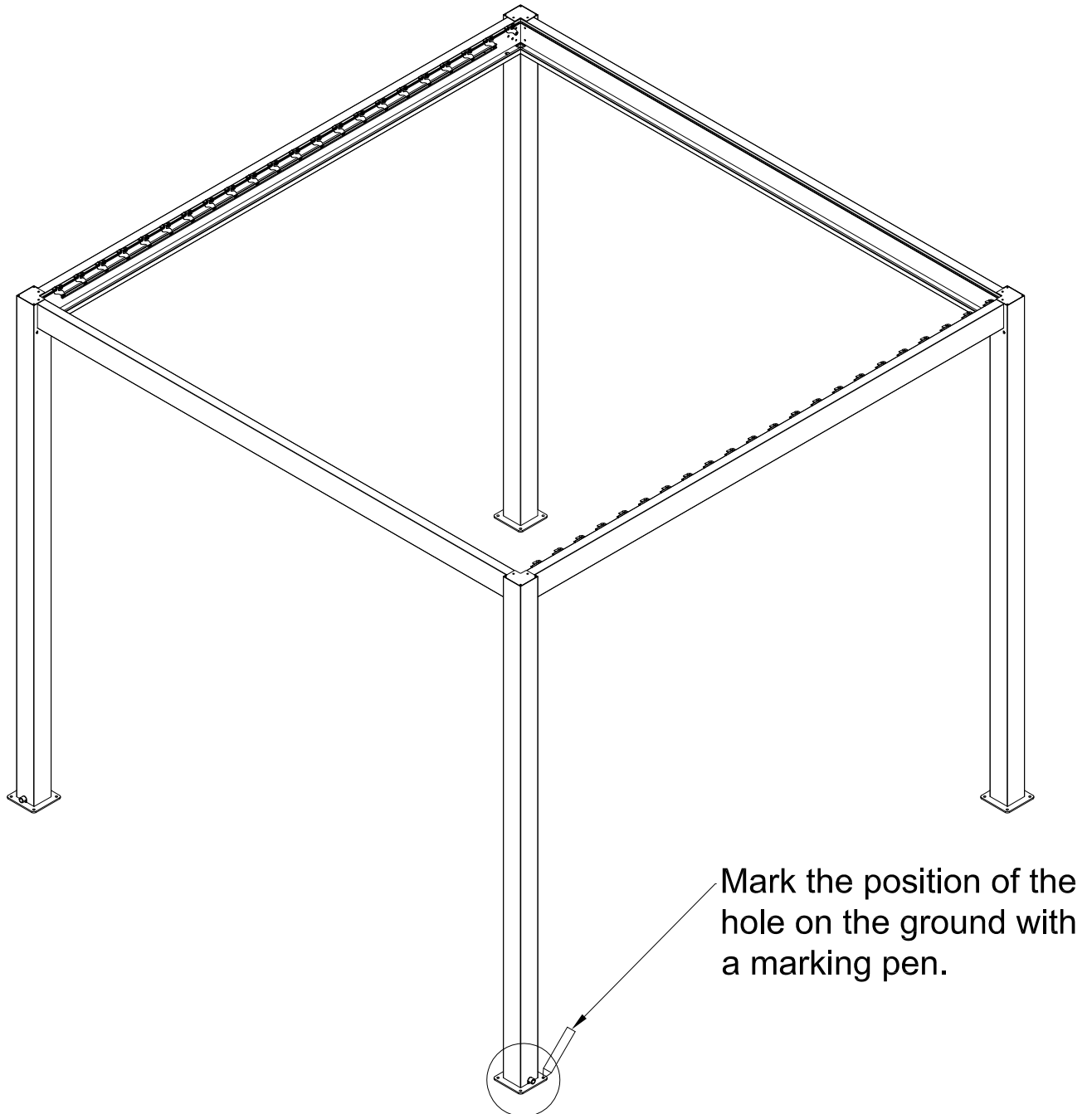
K3



M6*16

QTY: 8PCS

7. Adjust the position of 4 columns to keep them perpendicular to the ground. At the same time, measure that the width at the top between every 2 columns should be consistent with the width at the bottom of the ground. Then, use a marking pen to mark 16 positions corresponding to the bottom plate connection holes on the ground through the holes on the bottom plate.

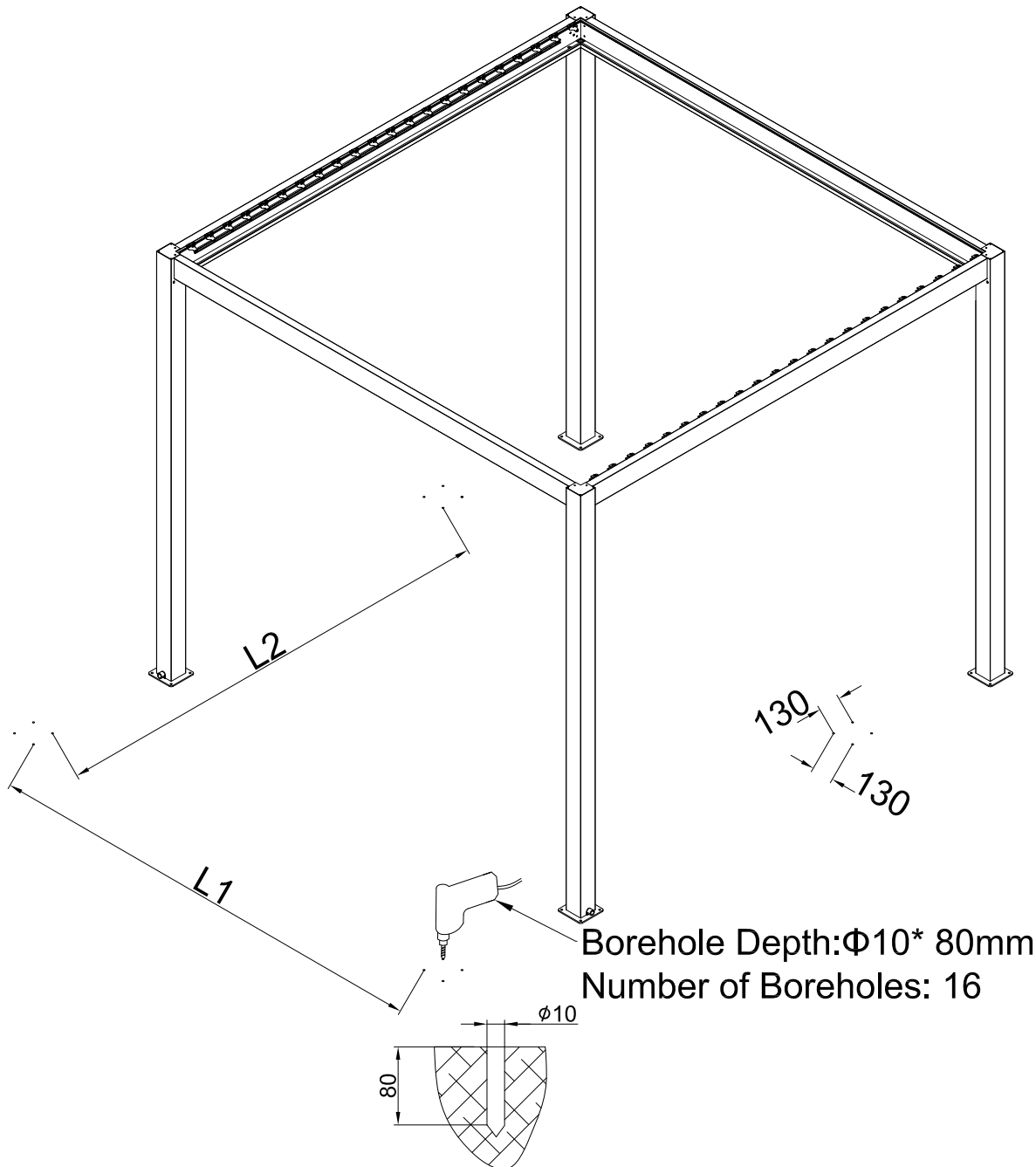


Tools used: Marking pen
(supplied by the worker)

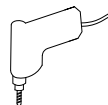


8. Remove the product from the marks and use a percussive drill to drill holes of 10*80mm respectively at the 16 mark positions on the ground.

Product Specification	L1(MM)	L2(MM)
3*3M	2676	2676
3*4M	2676	3668
4*3M	3668	2676
4*4M	3668	3668

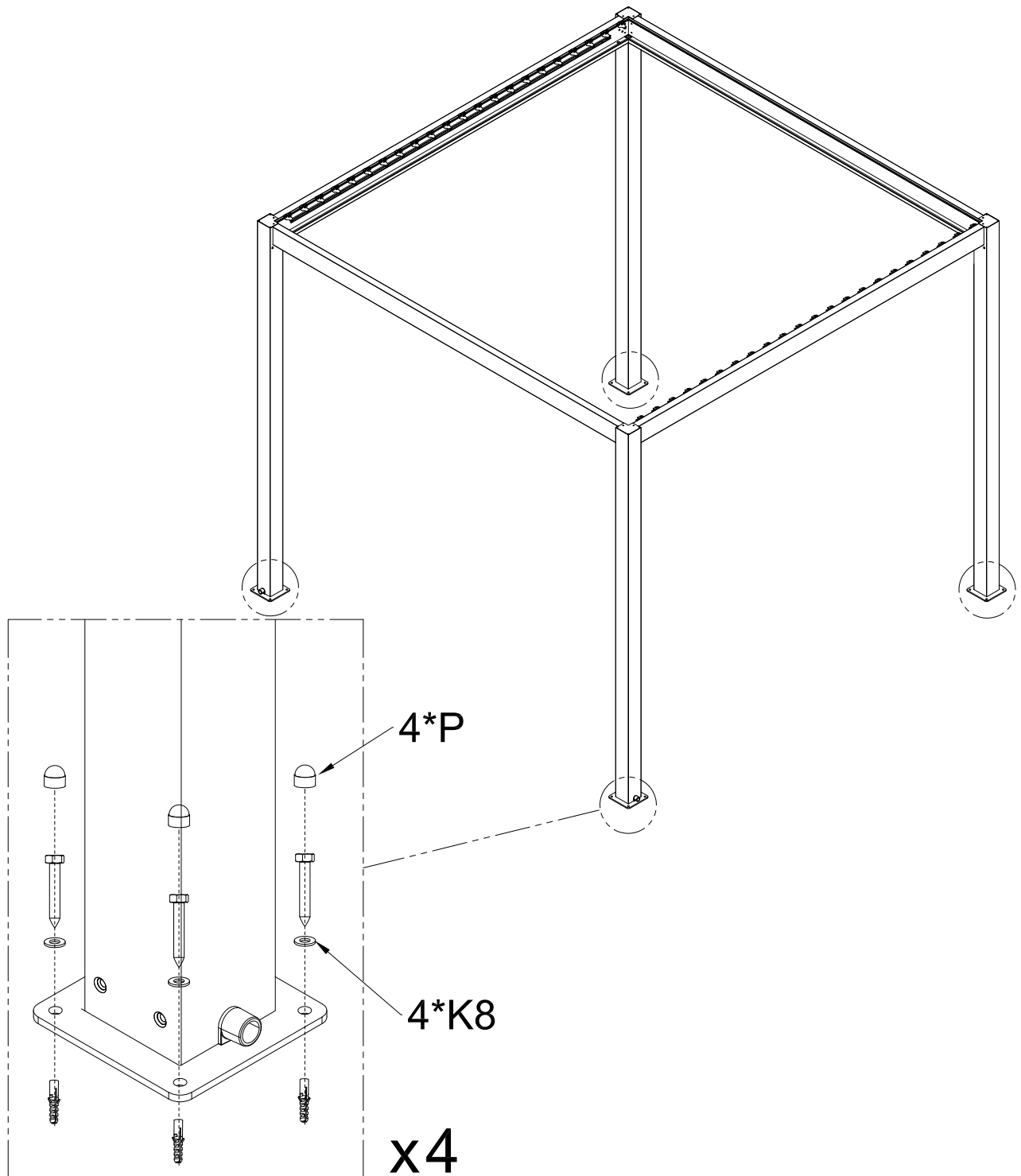


Tools used: Impact Drill
 (supplied by the worker)




Tools used: Impact Drill Bit 10mm
 (supplied by the worker)

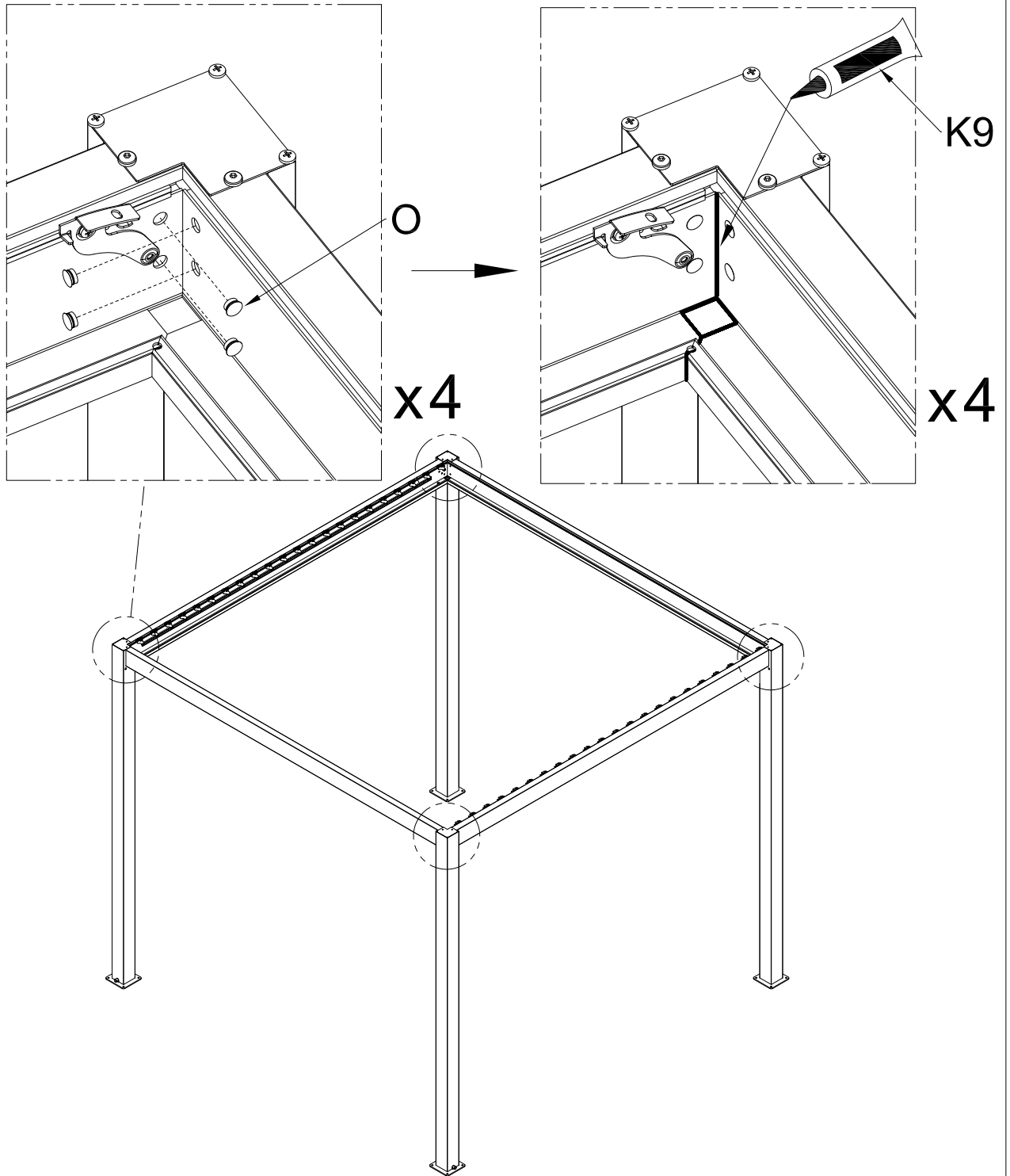
9. Place the plastic expansion pipe into the bottom hole of the upright post, then move the product back to the drilled position and align the bottom holes of the four upright posts with the ground drilling. Then put washers onto the wood screws and fix them to the ground separately.



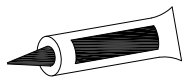
K8  QTY:16PCS

P  QTY:16PCS

10. Plug the hole plug O at the inner hole of the beam, and evenly apply the glass glue K9 at the surroundings of the water inlets on the 4 corners of the upright column, and at the butt joint of the beam.



K9



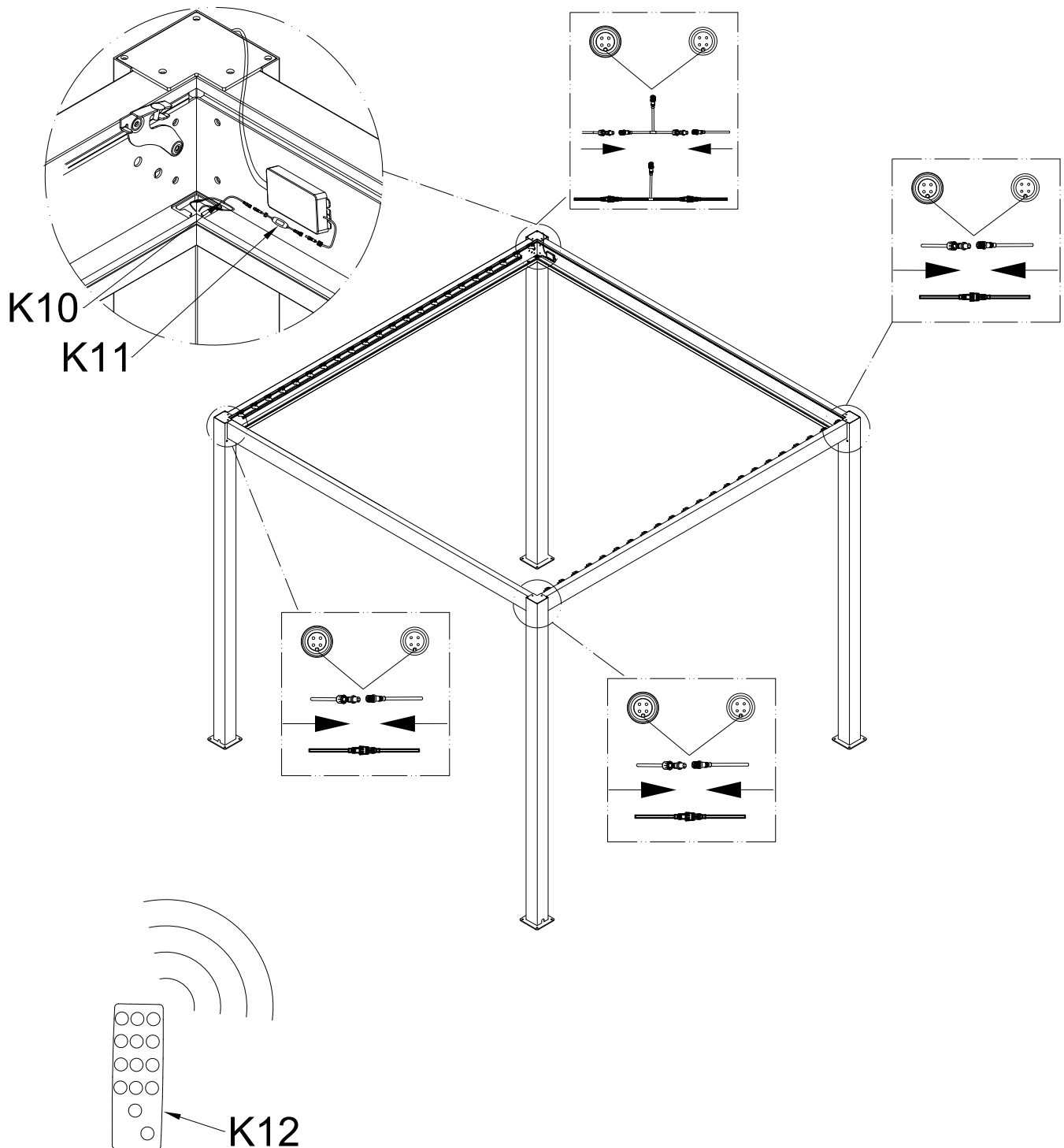
QTY: 1PC

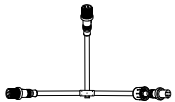

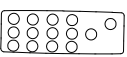
O



QTY: 16PCS

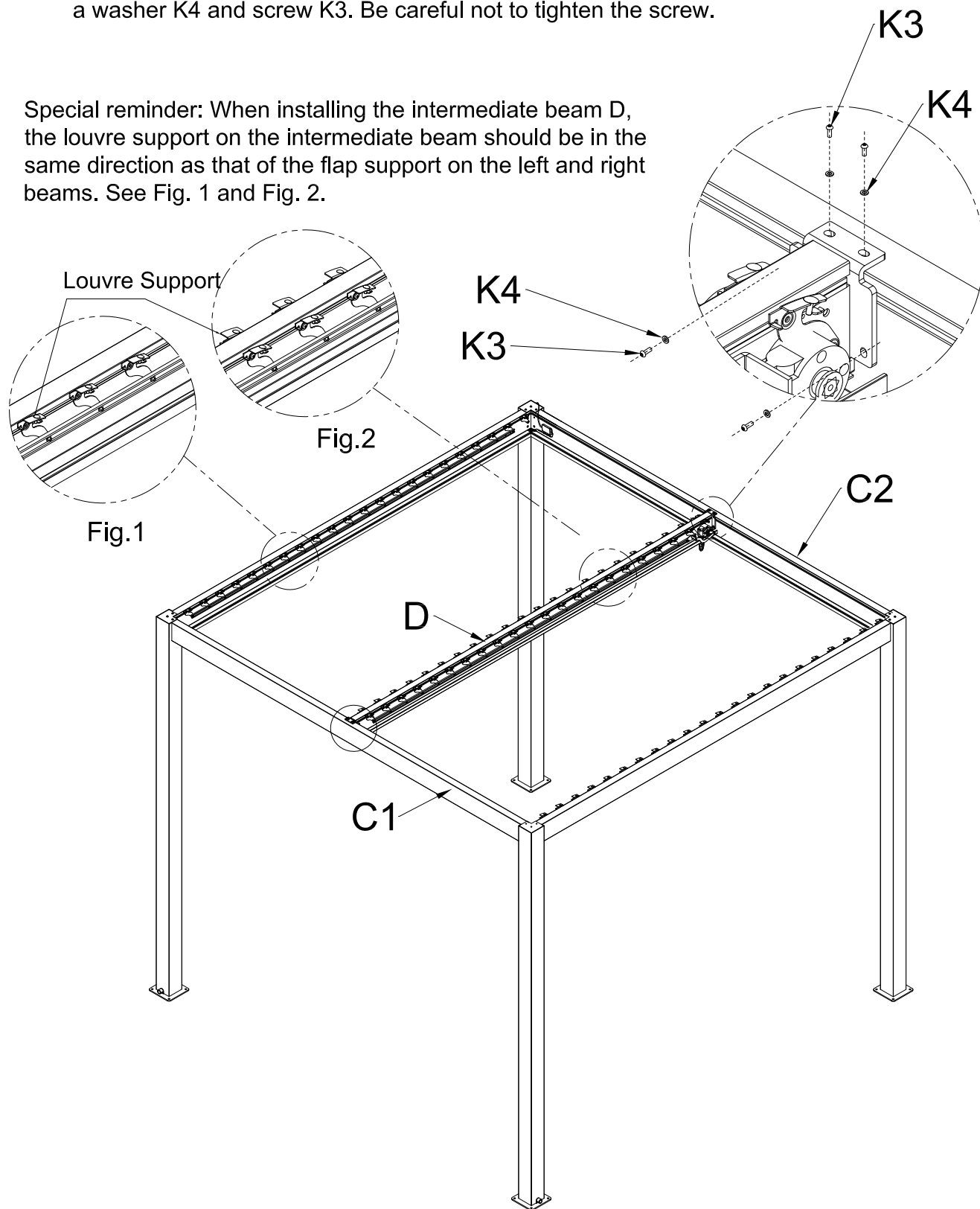
11. Connect the RGB light strip. After connecting the light strip, connect the power, adjust the transmitter, and check if the light strip is running normally.



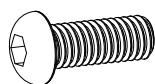
<p>K10</p> 	<p>QTY: 1PC</p>	<p>K11</p>  <p>QTY: 1PC</p>
<p>K12</p> 	<p>QTY: 1PC</p>	

12. Support the intermediate beam D on the front and rear beam C1/C2, connect the intermediate beam D to the front and rear beam C1/C2 with a washer K4 and screw K3. Be careful not to tighten the screw.

Special reminder: When installing the intermediate beam D, the louvre support on the intermediate beam should be in the same direction as that of the flap support on the left and right beams. See Fig. 1 and Fig. 2.



K3



M6*16

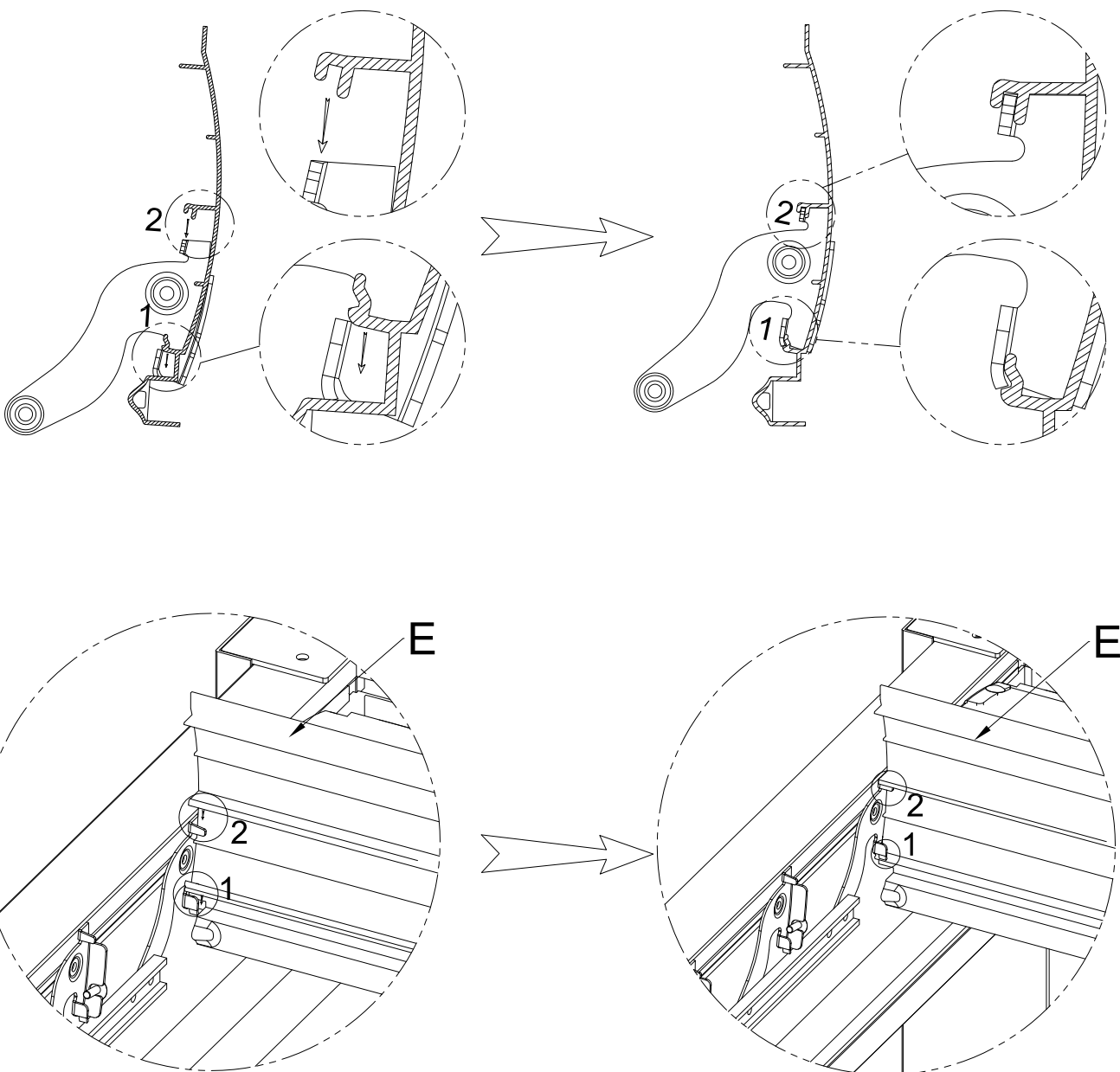
QTY: 8PCS

K4

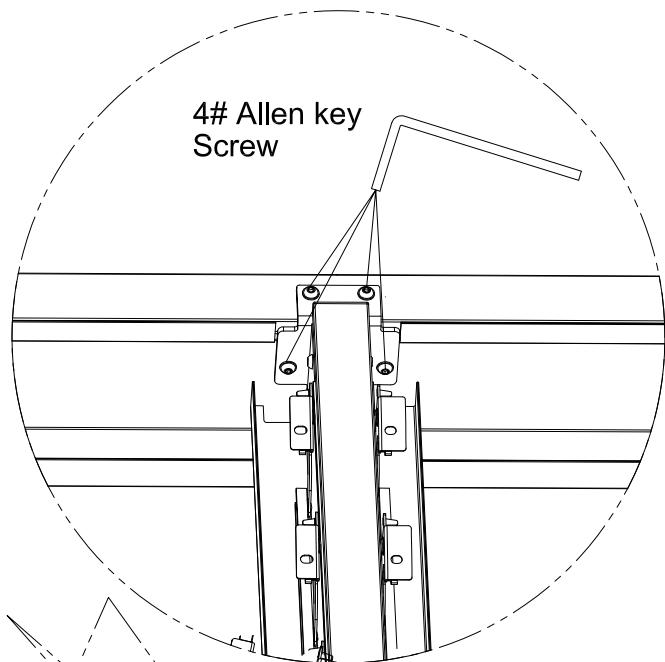


QTY: 8PCS

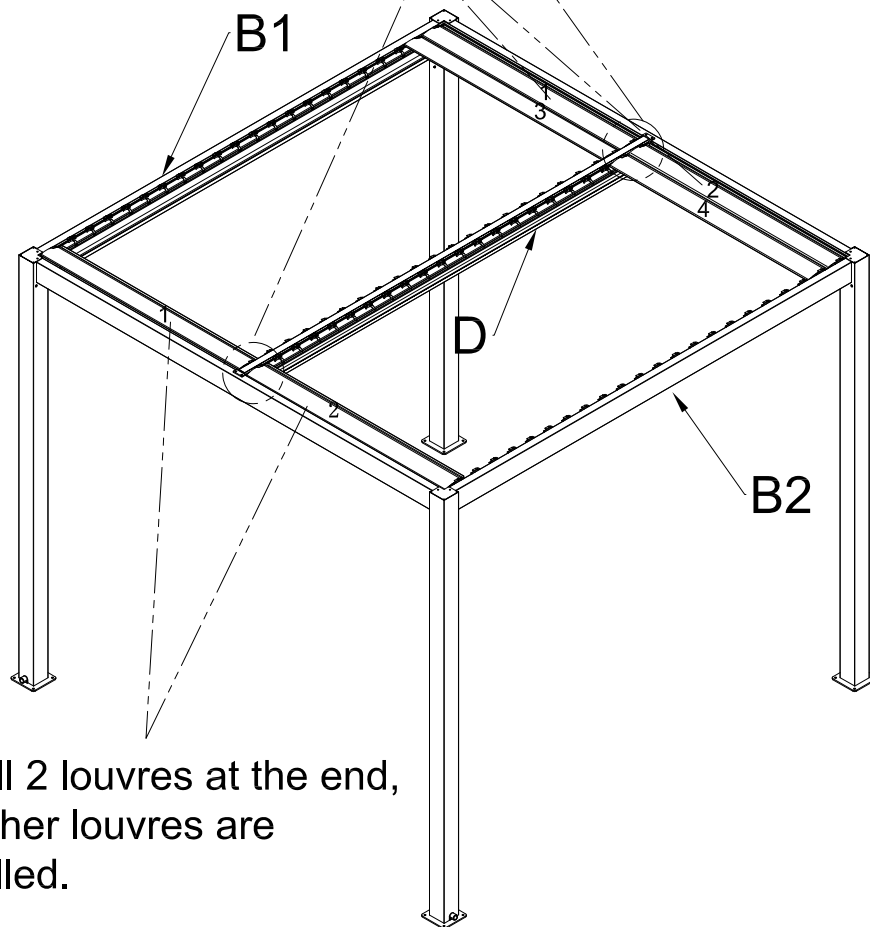
13.1 As shown in the figure, first clip the 6 pcs of louver E onto the tail of the bracket at both ends, then press down the louver to make it clamp and install it in the direction indicated by the arrows of Clamping Position 1 and 2 respectively. Then fasten the louver at the corresponding position as shown in the figure. Check whether it can work smoothly, and then fasten the middle beam with 8 pcs of K3 screws.



13.2 After installing the 6 louvers shown in the diagram, tighten a total of 8 screws in four positions according to the diagram

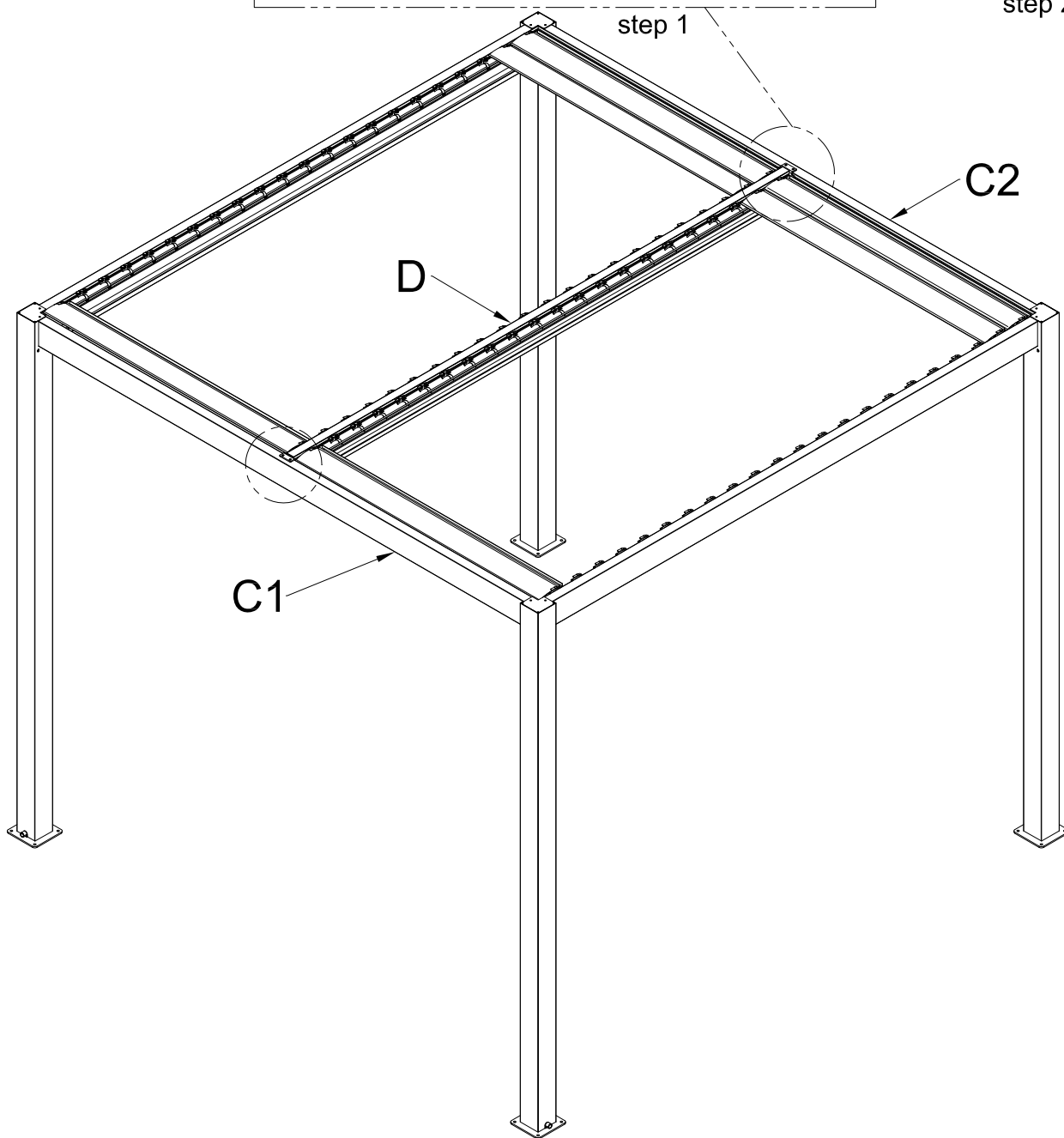
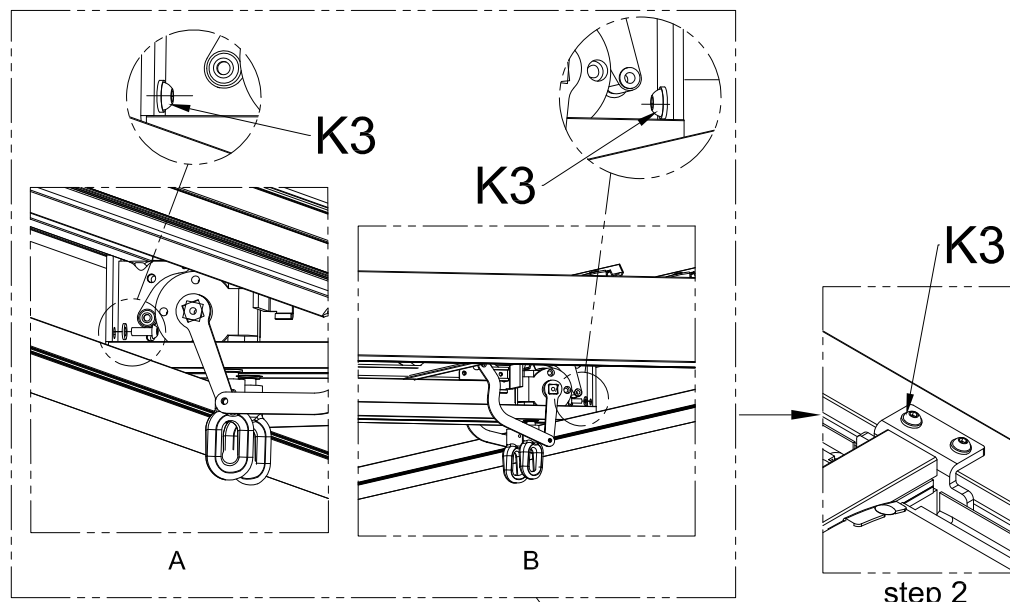


Install the 4 louvres at the gearbox location first, and don't install other louvres.



Install 2 louvres at the end, no other louvres are installed.

14. Tighten and fix the screw K3 in step 12, and then fasten the remaining louvres one by one.



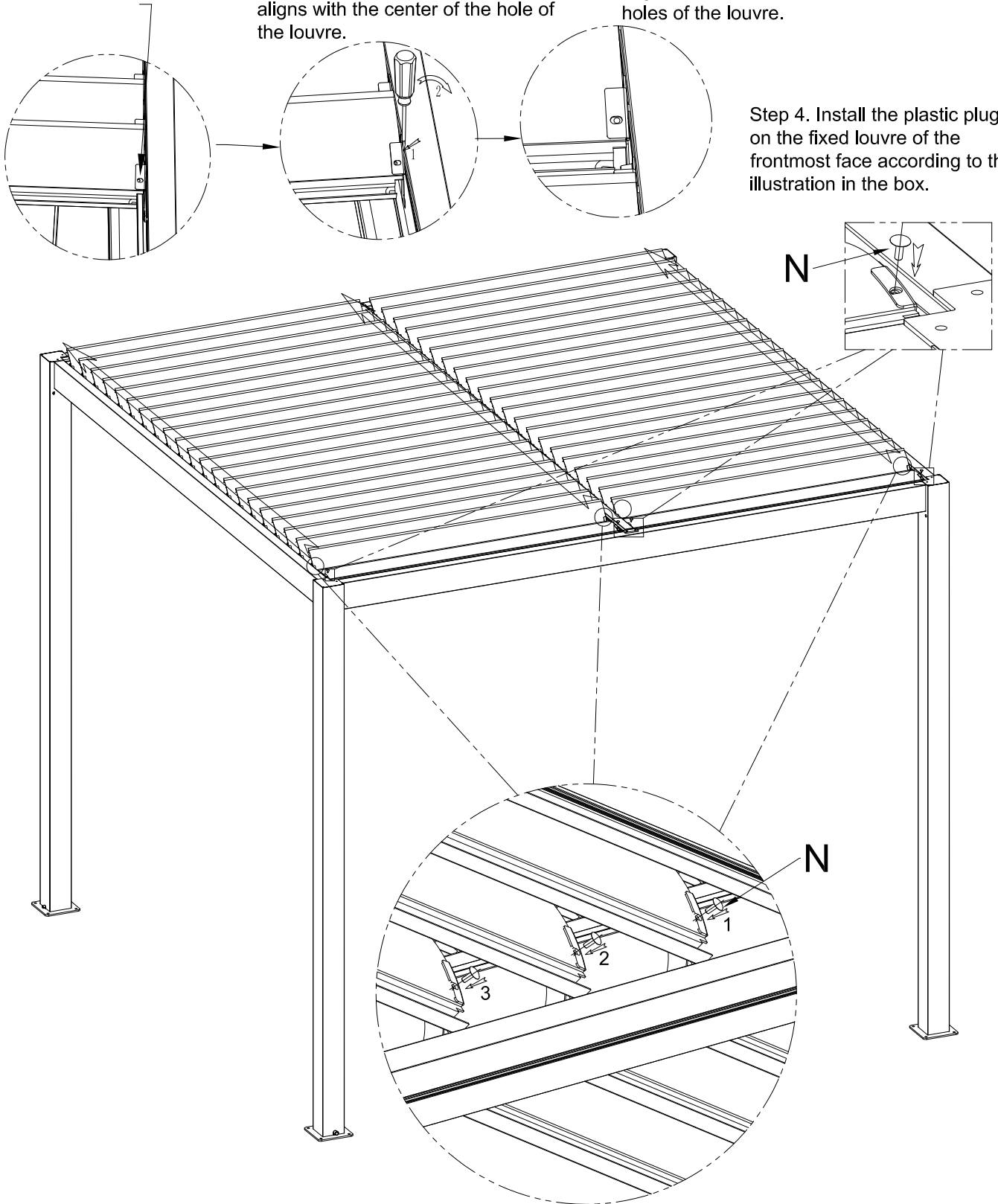
15. Install plastic plugs at both ends of each louvre.

Step 1. As shown in the figure, if the holes are not aligned, they need to be adjusted.

Step 2. As shown in the figure, insert a screwdriver at point 1 and pry up the louvre support as shown in direction 2 so that the hole of the louvre support aligns with the center of the hole of the louvre.

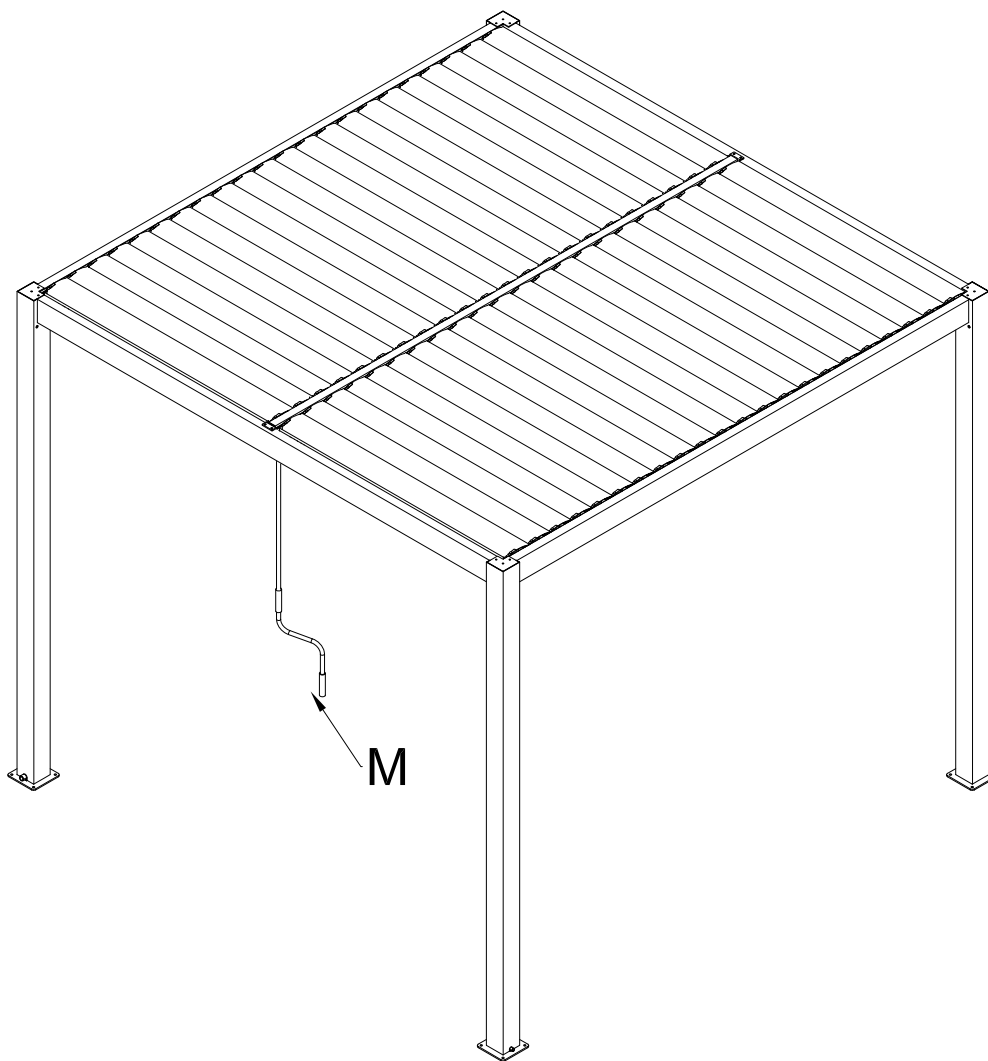
Step 3. After adjustment, the holes of the louvre support align with the center of the holes of the louvre.

Step 4. Install the plastic plug N on the fixed louvre of the frontmost face according to the illustration in the box.



Step 5. Open the louvre halfway and insert the plastic plug(N) into the plug installation holes at both ends of the louvre as shown in the figure within the circle.

16. Hang the hand rocker M and turn it to open / close the louvres. Connect the power supply and adjust the remote K12 to change the color of the light bar. The installation is complete.



M



QTY: 1PC