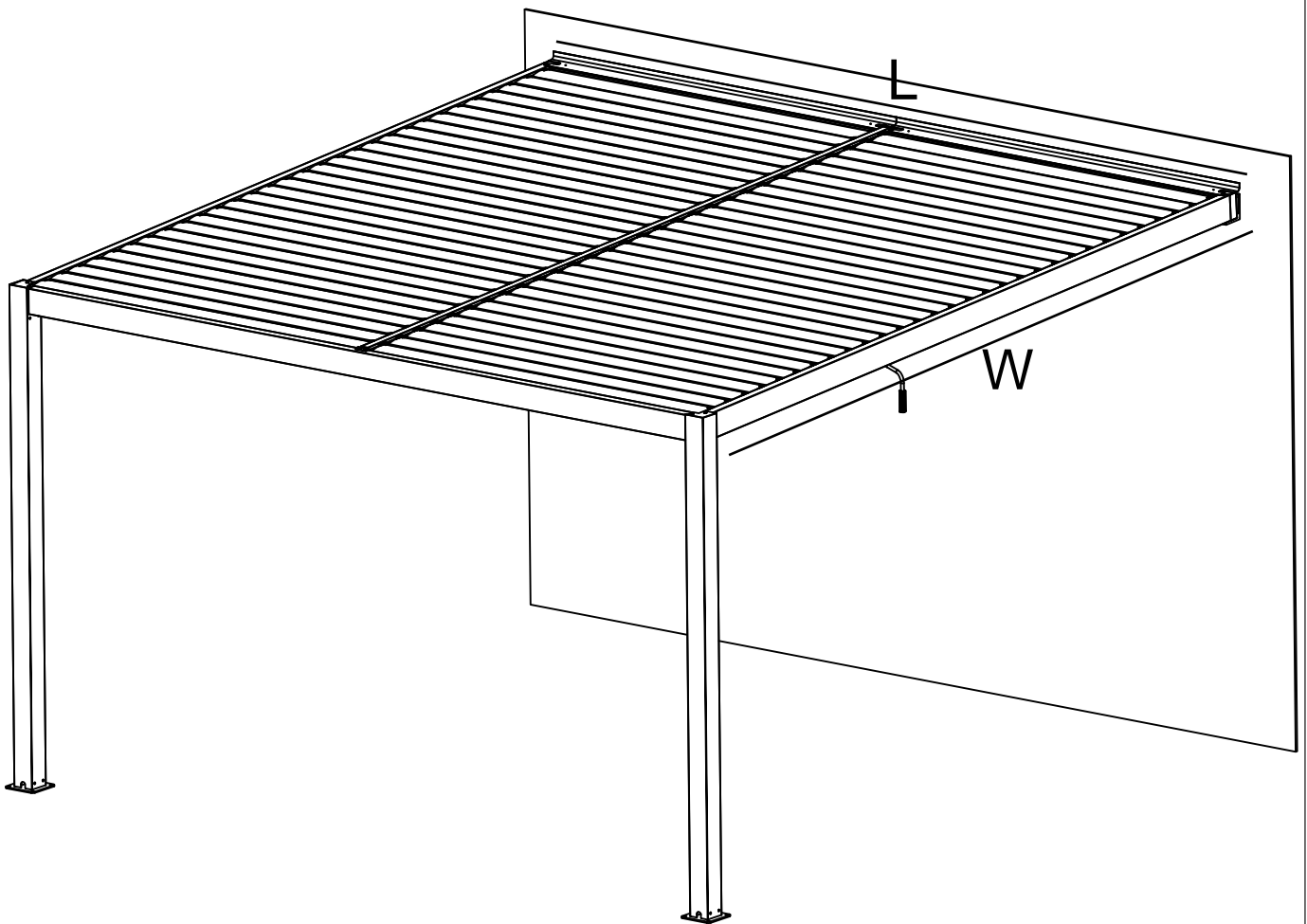


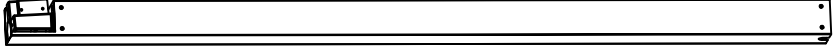
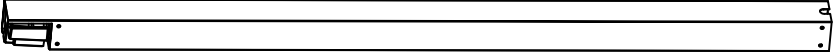
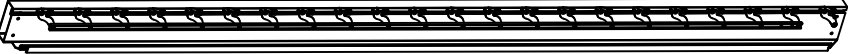




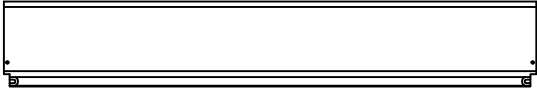
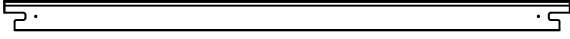
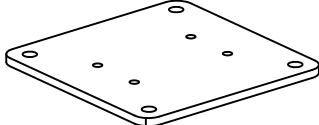
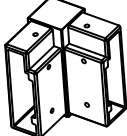
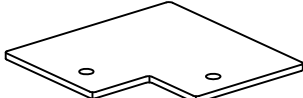
Aluminium Louvered Pergola
Wall Mounted

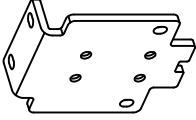

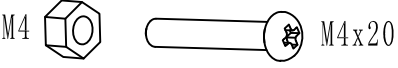
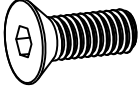
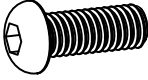


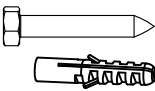

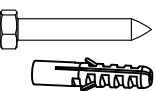

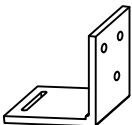
3x3M 3x4M 4x3M 4x4M (L x W)

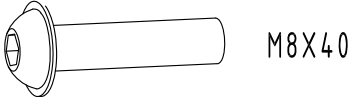

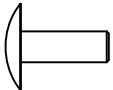
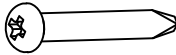
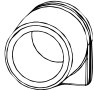
Assembly Instruction



The Parts List

Label No.	Part Name	Drawing	Qty
A1	Column (Left)		1
A2	Column (Right)		1
B1	Beam (Left)		1
B2	Beam (Right)		1
C1	Rear Beam		1
C2	Front Beam		1
D	Middle Beam		1
E	Slat		3*3=44 4*3=44 3*4=60 4*4=60
F	Rain Cover		2
G	Column Bottom Plate		2
H	Corner Connector		2
I	Column Cover Plate		2

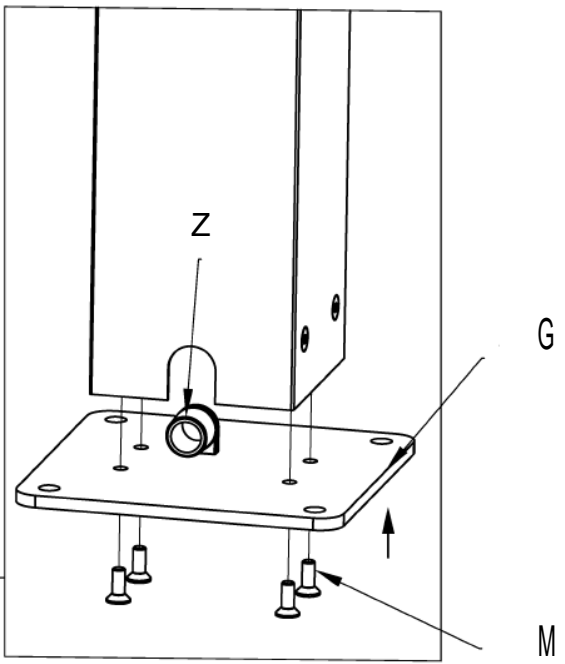
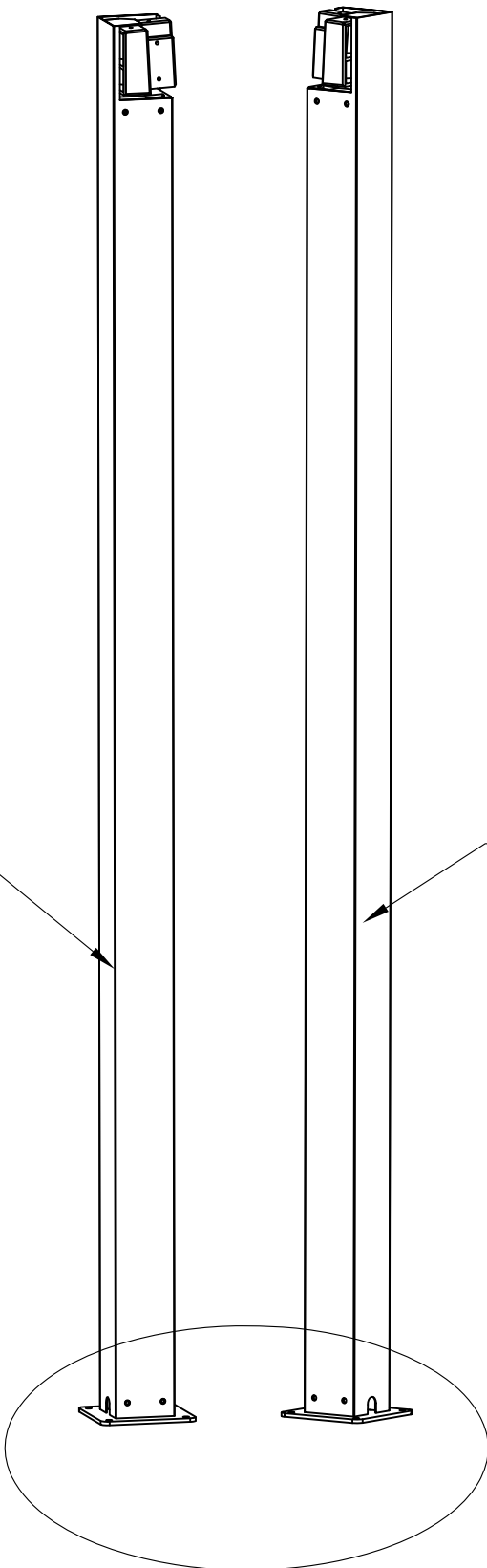
Label No.	Part Name	Drawing	Qty
J	Middle Beam Connector		2
K	Ring for the gearbox		2
L	Phillips Pan Head Screw + Hexagonal Nut		2
M	Hex Socket Flat Head Screw		32
N	Hex Socket Button Head Screw		16
O	Gasket		8
P	Handle Crank		1
Q	Hex Head Wood Screw + Ribbed Plastic Anchor		6
R	Gasket		6
S	Hex Head Wood Screw + Ribbed Plastic Anchor		8
T	Gasket		10
U	Wall Bracket		2

Lable No.	Part Name	Drawing	Qty
V	Hex Socket Flat Head Screw with the gasket M8x40		2
W	Glass Glue		1
X	Plastic Hole Plug		3*3=88 4*3=88 3*4=120 4*4=120
Y	Phillips Pan Head Self-drilling Screw		4
Z	Drainage connector		2

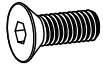
1. Install the column bottom plate G with column A1 and column A2, and fasten up with screws M.

A1

A2

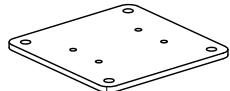


M



QTY: 8PCS

G



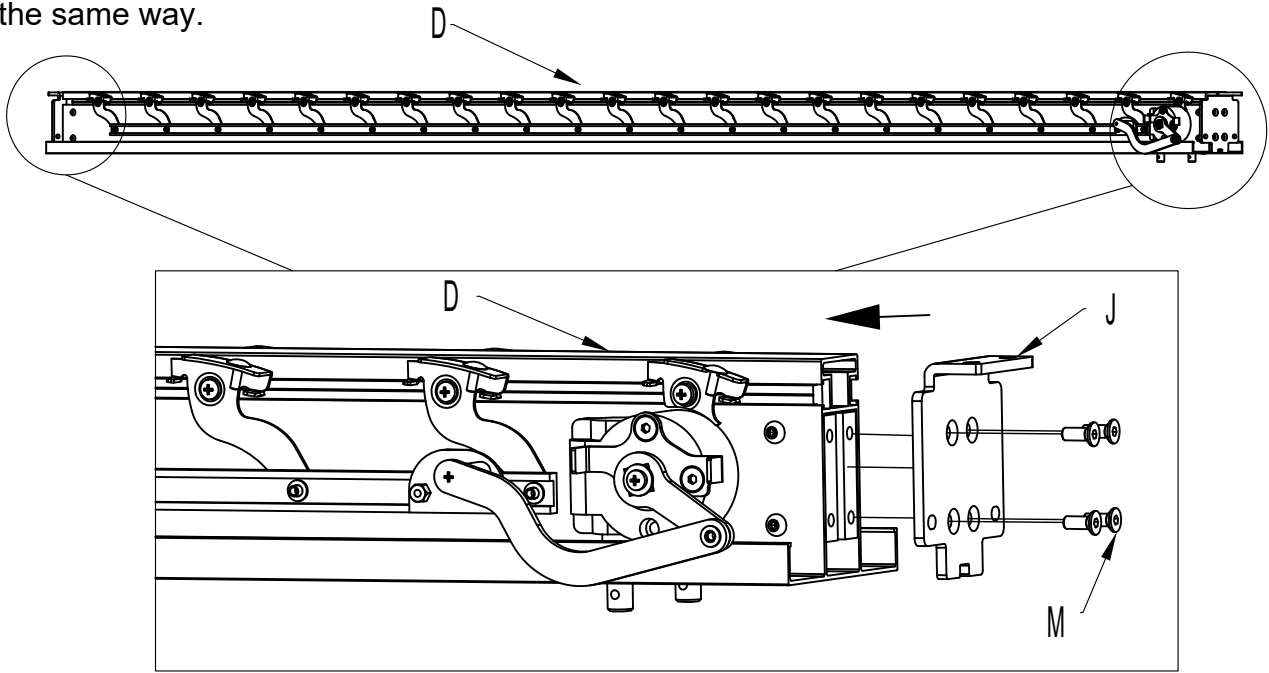
QTY: 2PCS

Z

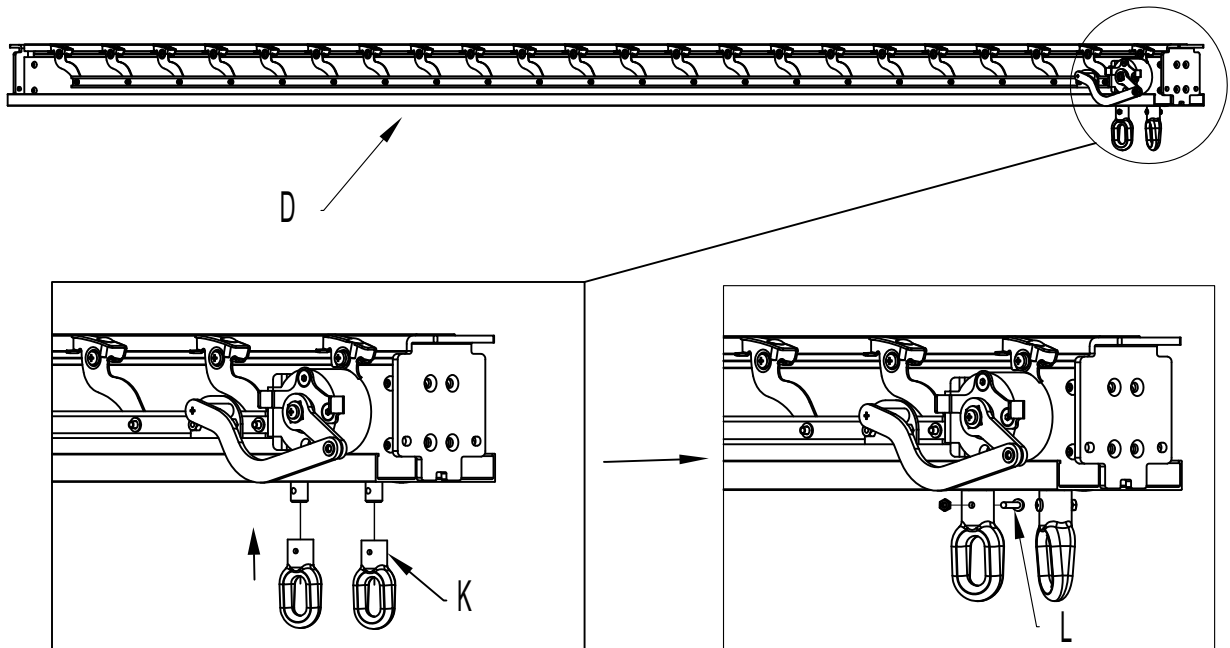


QTY: 2PCS

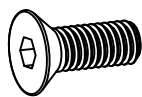
2. Install the middle beam connector J on one end of the middle beam, fasten up with screws M; and complete another end with the same way.



3. Install the two rings K onto the gearbox of the middle beam D, and fasten up the screw L;

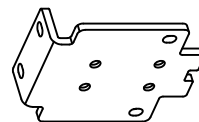


M



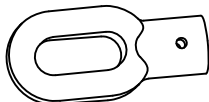
QTY: 8PCS

J



QTY: 2PCS

K

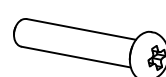


QTY: 2PCS

L



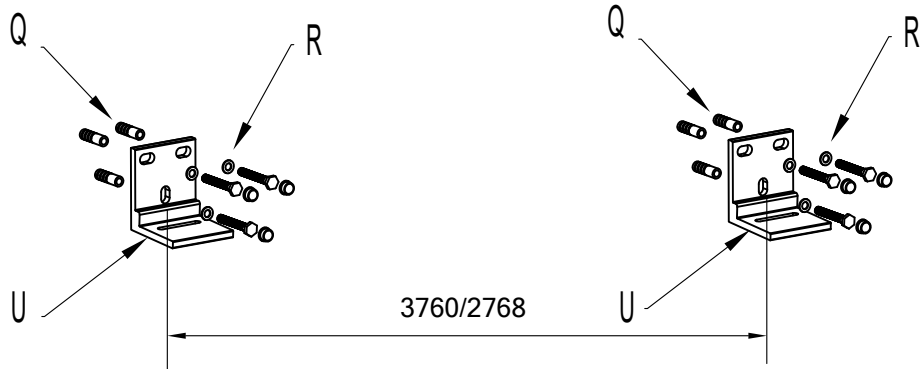
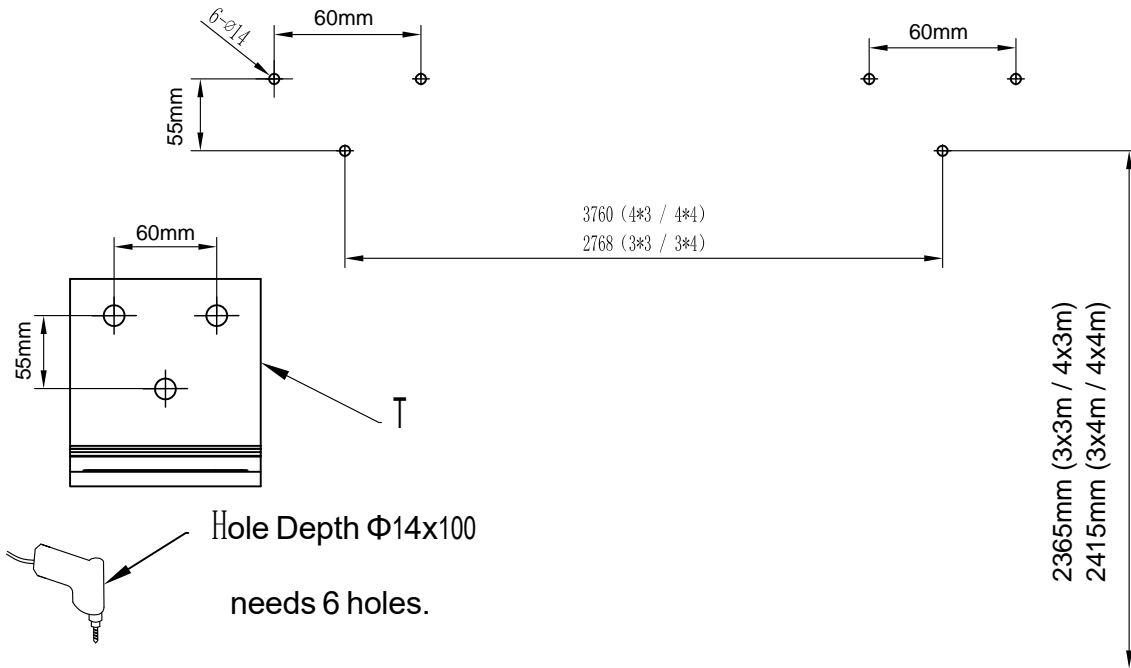
M4



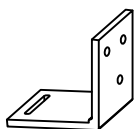
M4x20

QTY: 2SET

4. Drill holes for the wall brackets and install these brackets T.

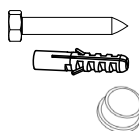


U



QTY: 2PCS

Q



M10x80
 $\Phi 14 \times 70$

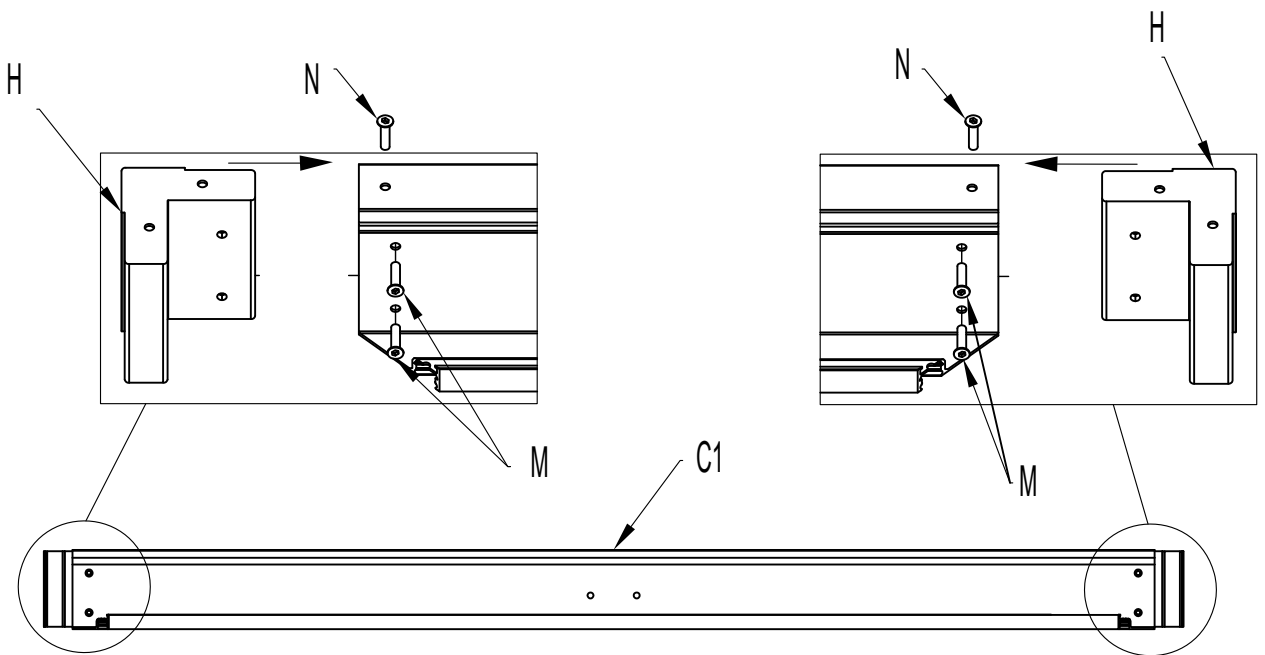
QTY: 6SETS

R

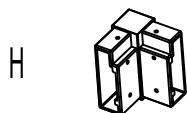
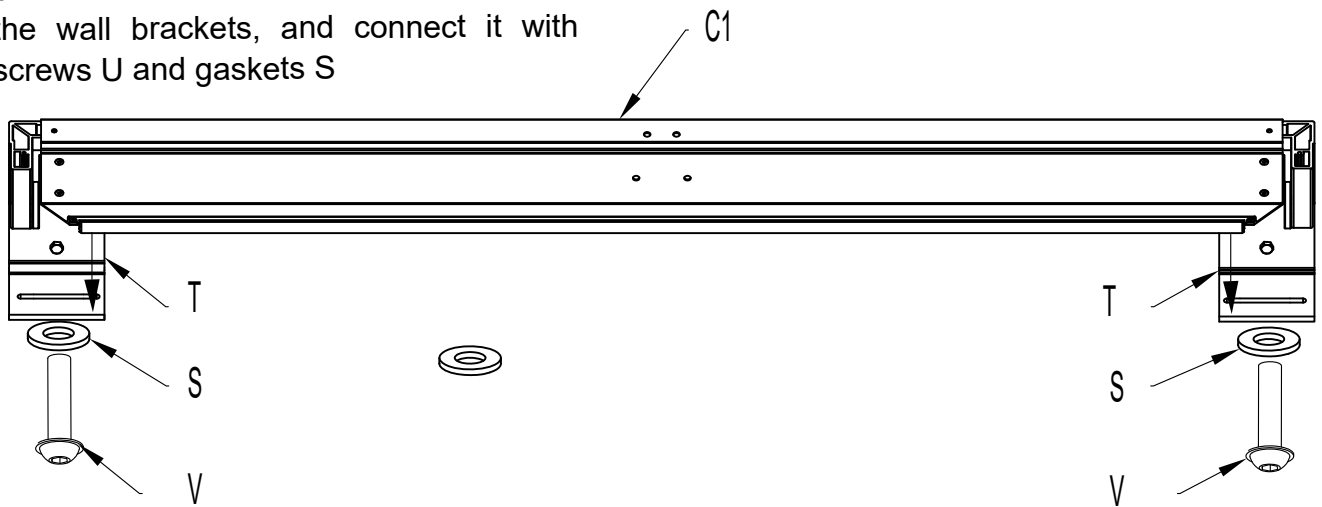


$\Phi 10$ QTY: 6PCS

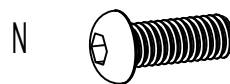
5. Insert the corner connector H into the two ends of the rear beam C1, and fasten up with screws M and N;



6. Put the assembled rear beam C1 on the wall brackets, and connect it with screws U and gaskets S



QTY: 2PCS



QTY: 2PCS



M8X40 QTY: 2PCS

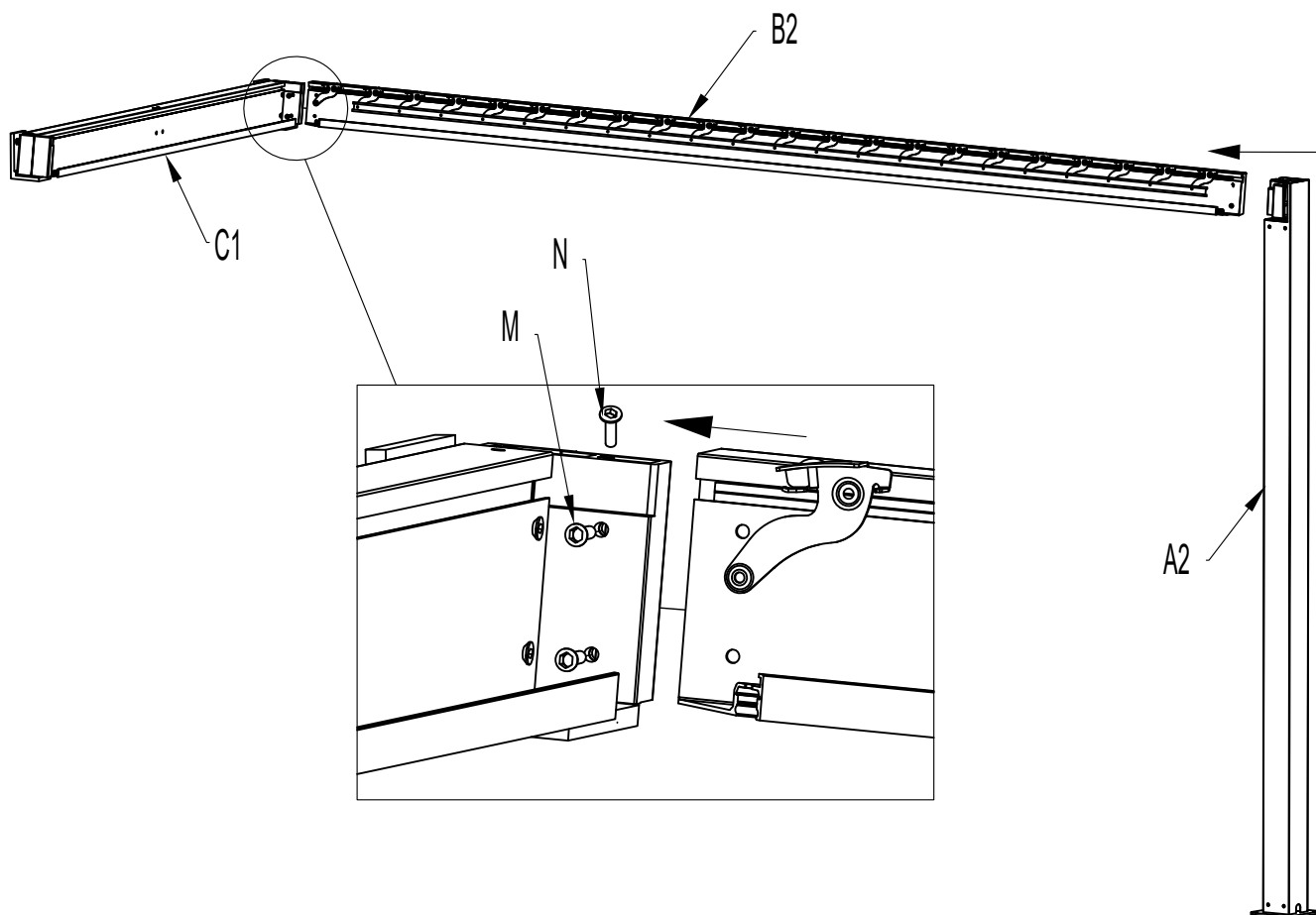


QTY: 2PCS

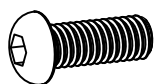


QTY: 4PCS

7. Use screws M and N to fasten up the right beam B2 and the assembled rear beam C1

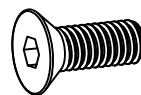


N



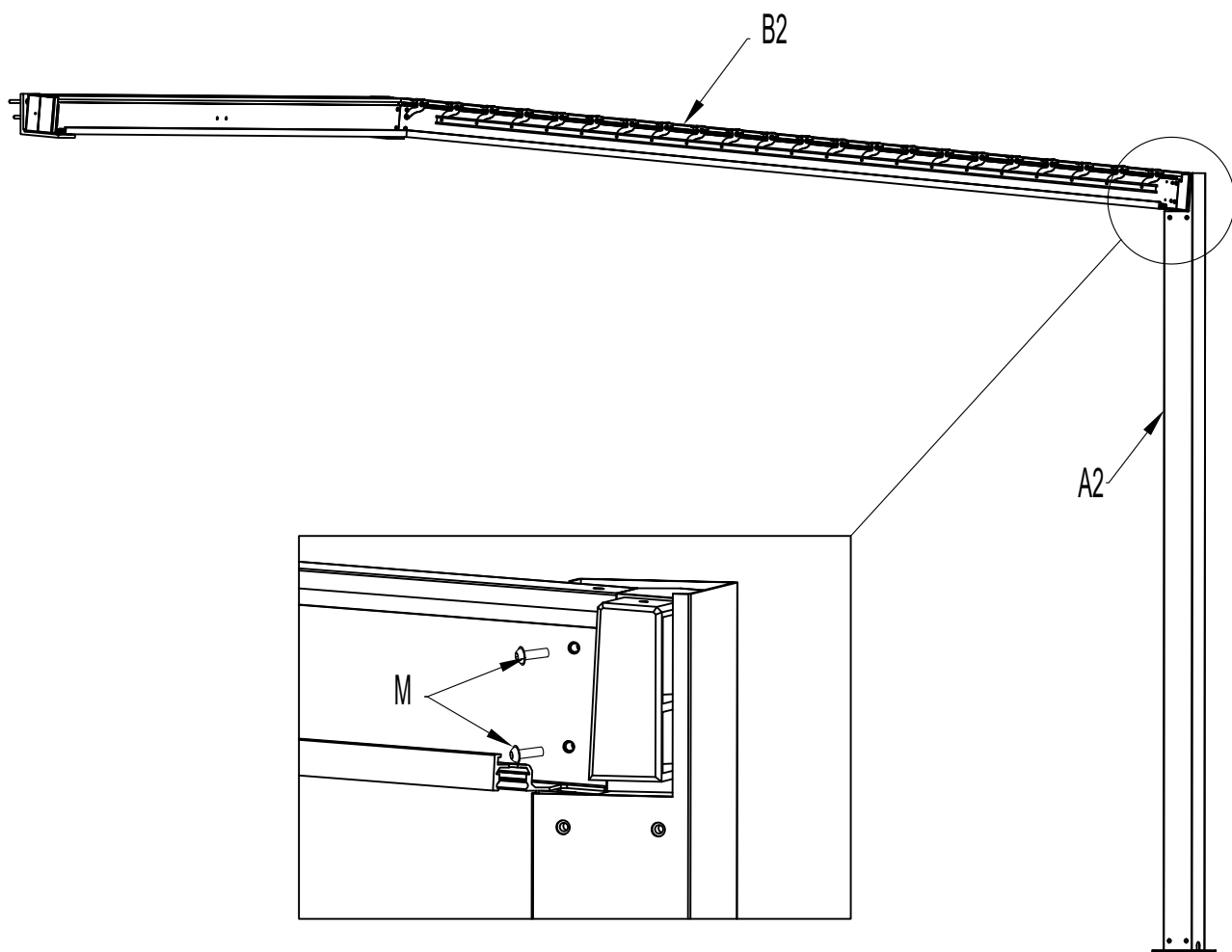
QTY: 1PC

M

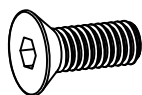


QTY: 2PCS

8. Use screws M to fasten up the column A2 and the beam B2

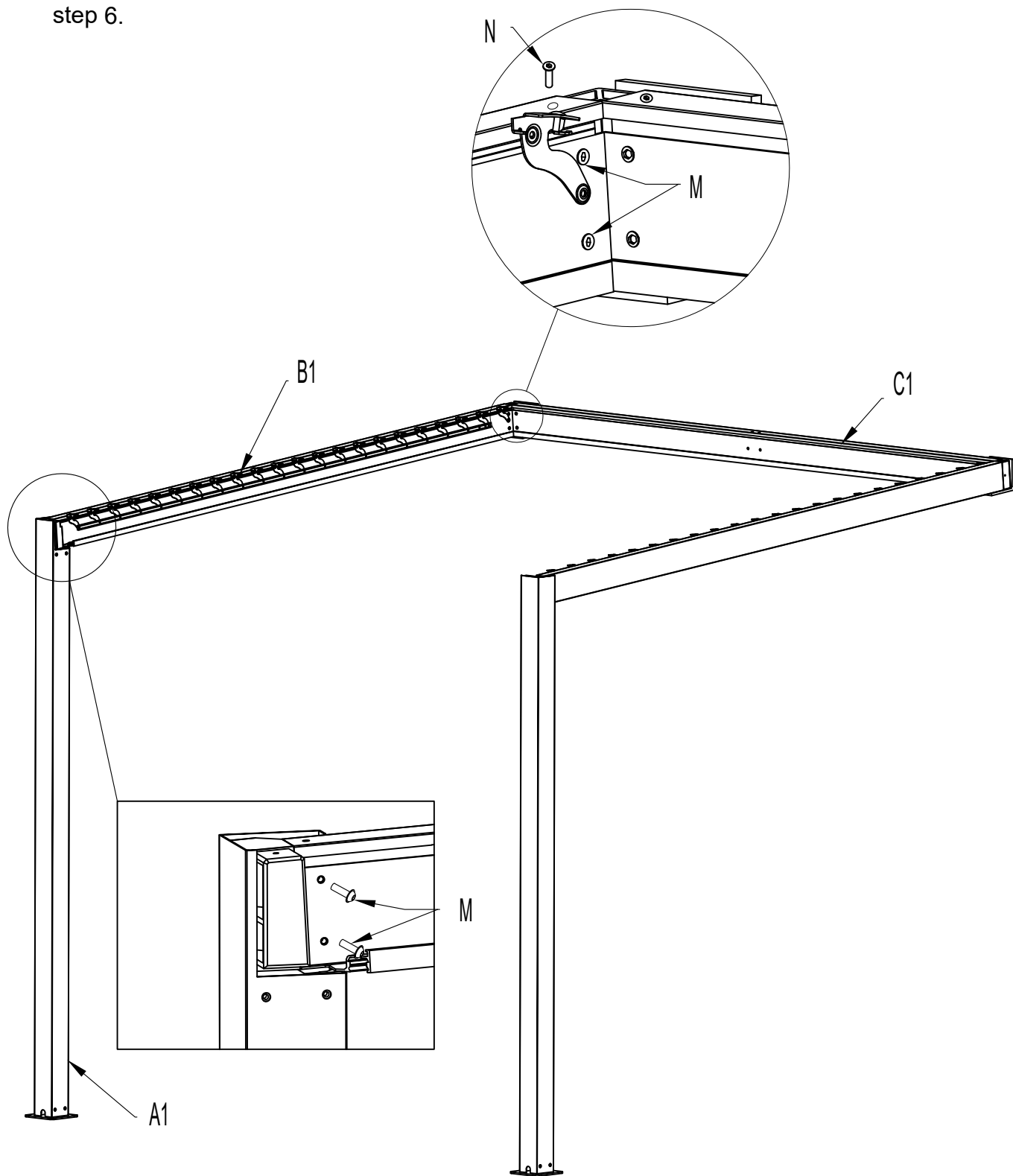


M

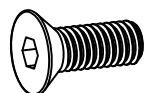


QTY: 2PCS

9. Connect the two ends of the left beam B1 with the column A1 and the rear beam C1 by step 5 and step 6.

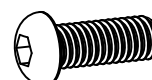


M



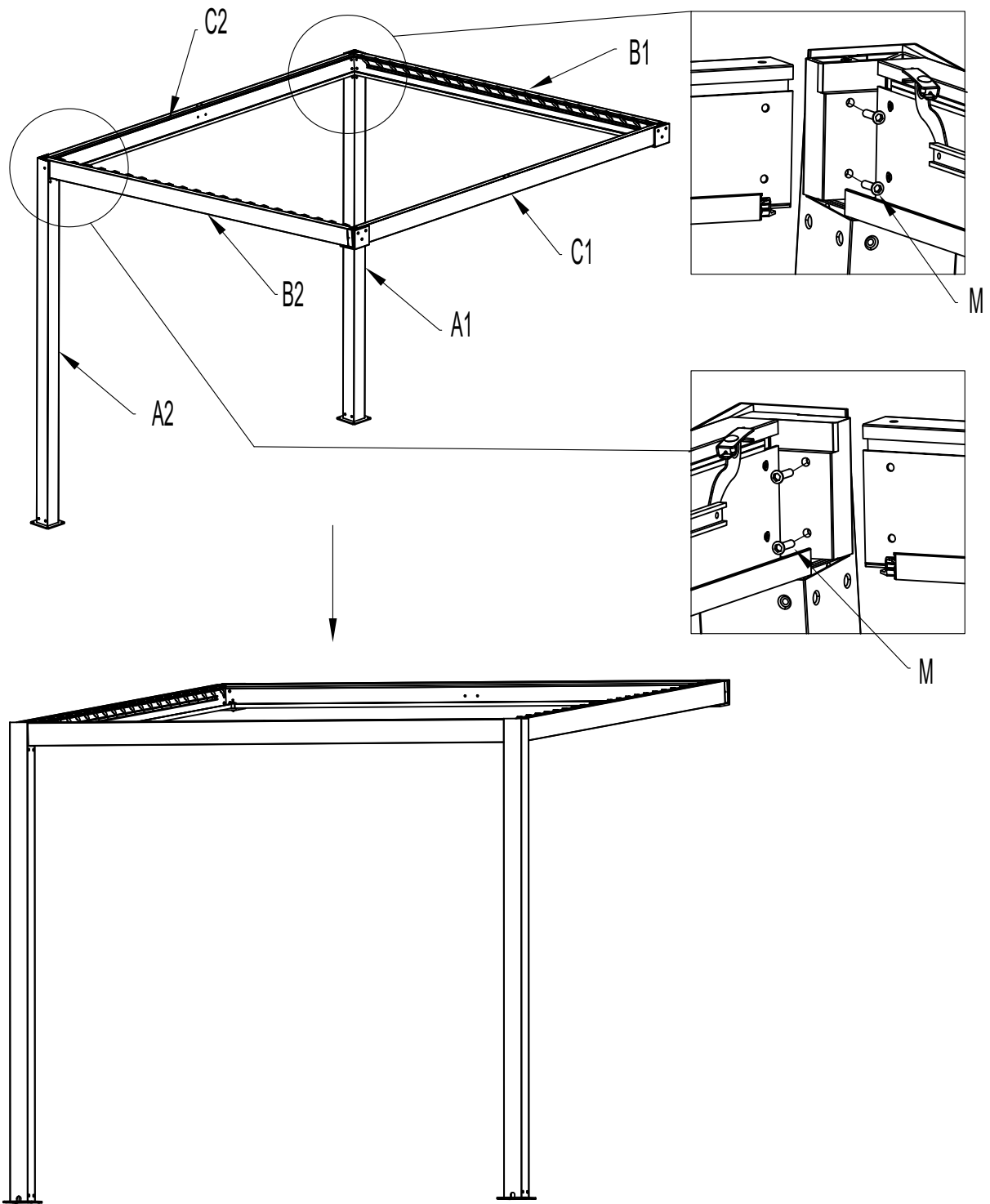
QTY: 4PCS

N

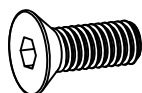


QTY: 1PC

10 .Connect the front beam C2, the left beam B1 and the right beam B2 with screws M.

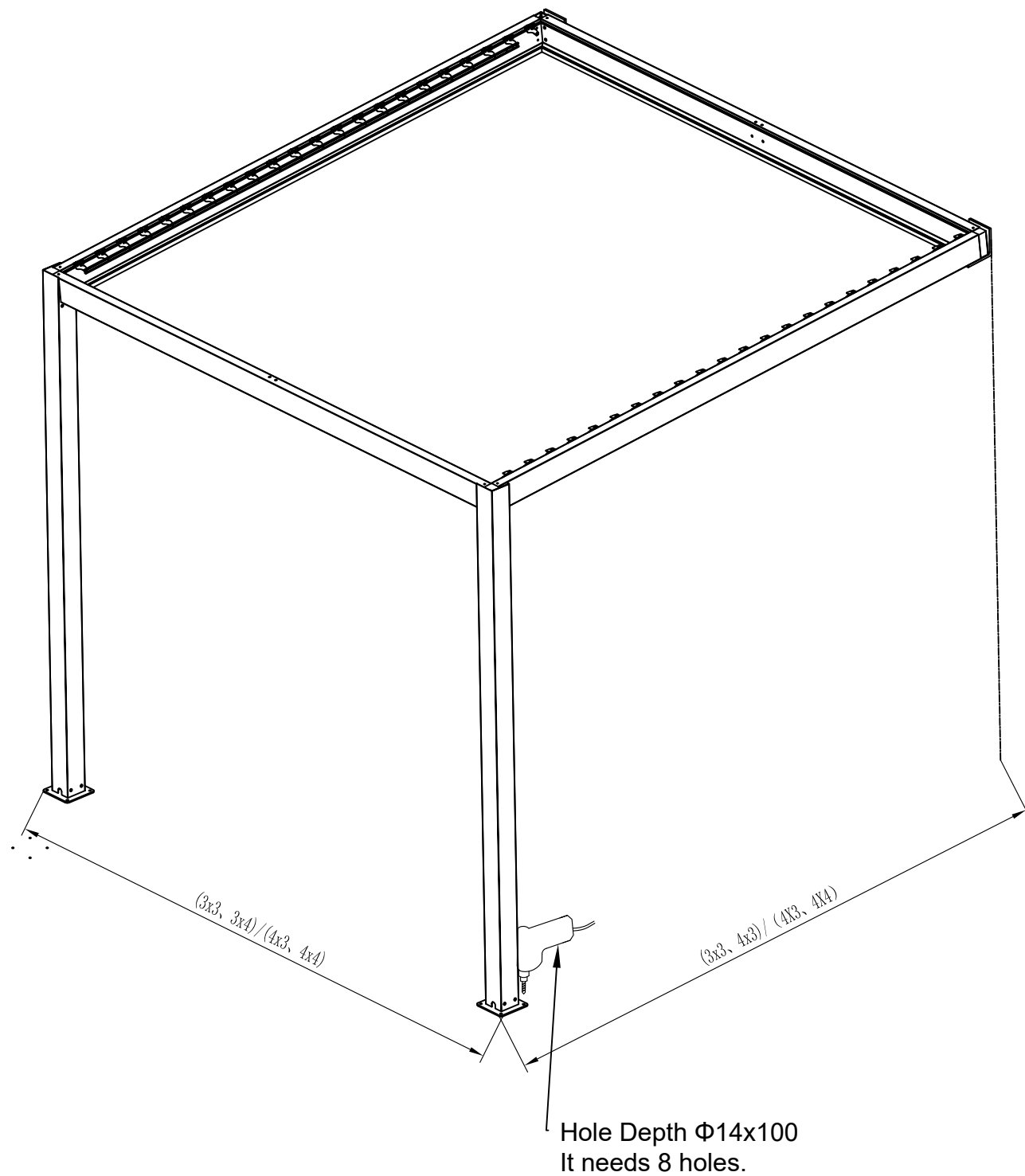


M

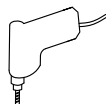


QTY: 4PCS

11. Measure the distance between the column edge and the wall and the distance between two columns, put the drill bit through the bottom plate hole and then drill eight $\Phi 14 \times 100$ holes by the electric drill.

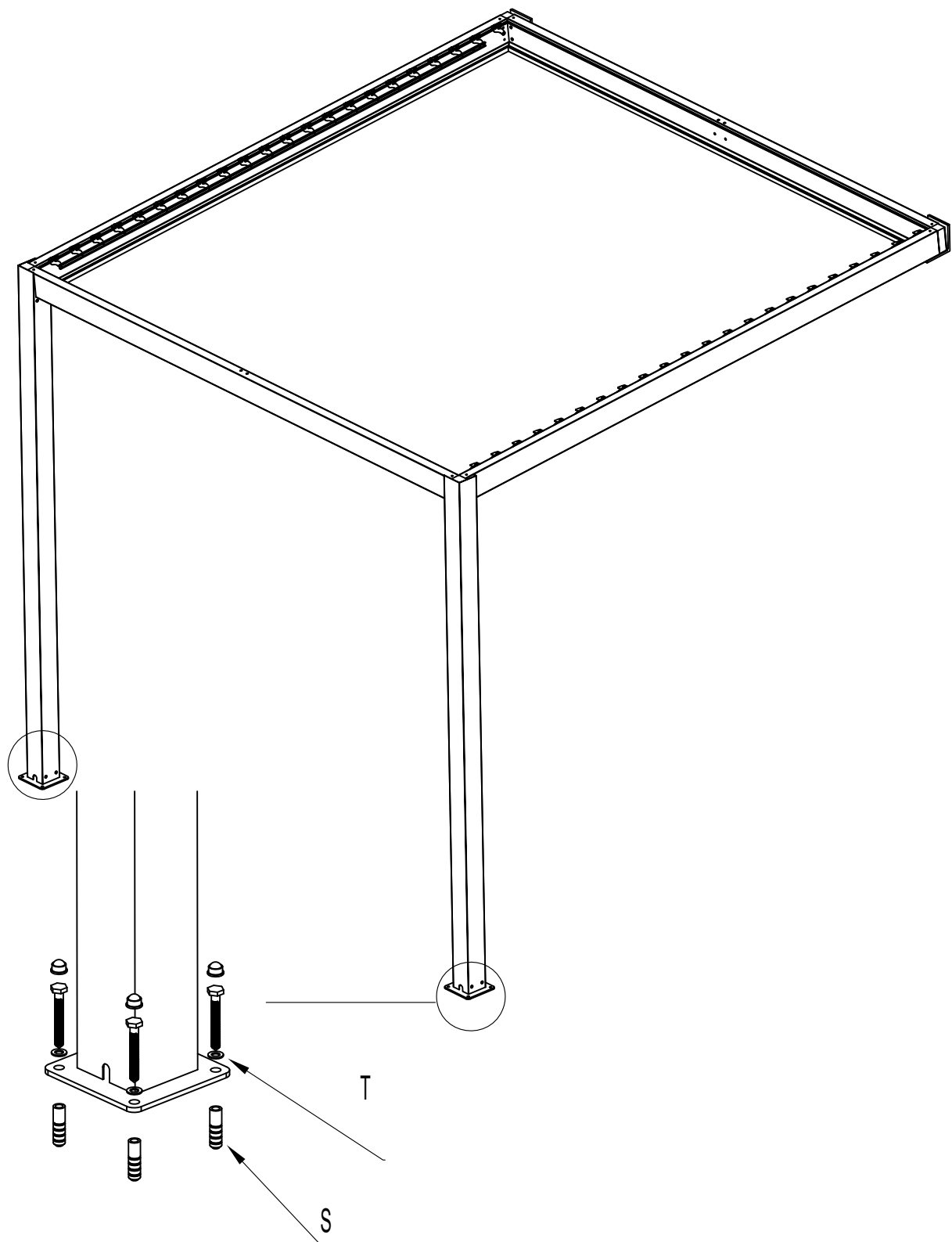


Tool: the worker needs to prepare it.

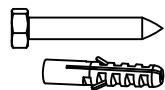


One impact drill with a $\Phi 14$ drill bit

12. Put the ribbed plastic anchors S into the bottom holes of the column, then put the gasket T onto the hex head wood screw S, and fix them up on the ground.



S



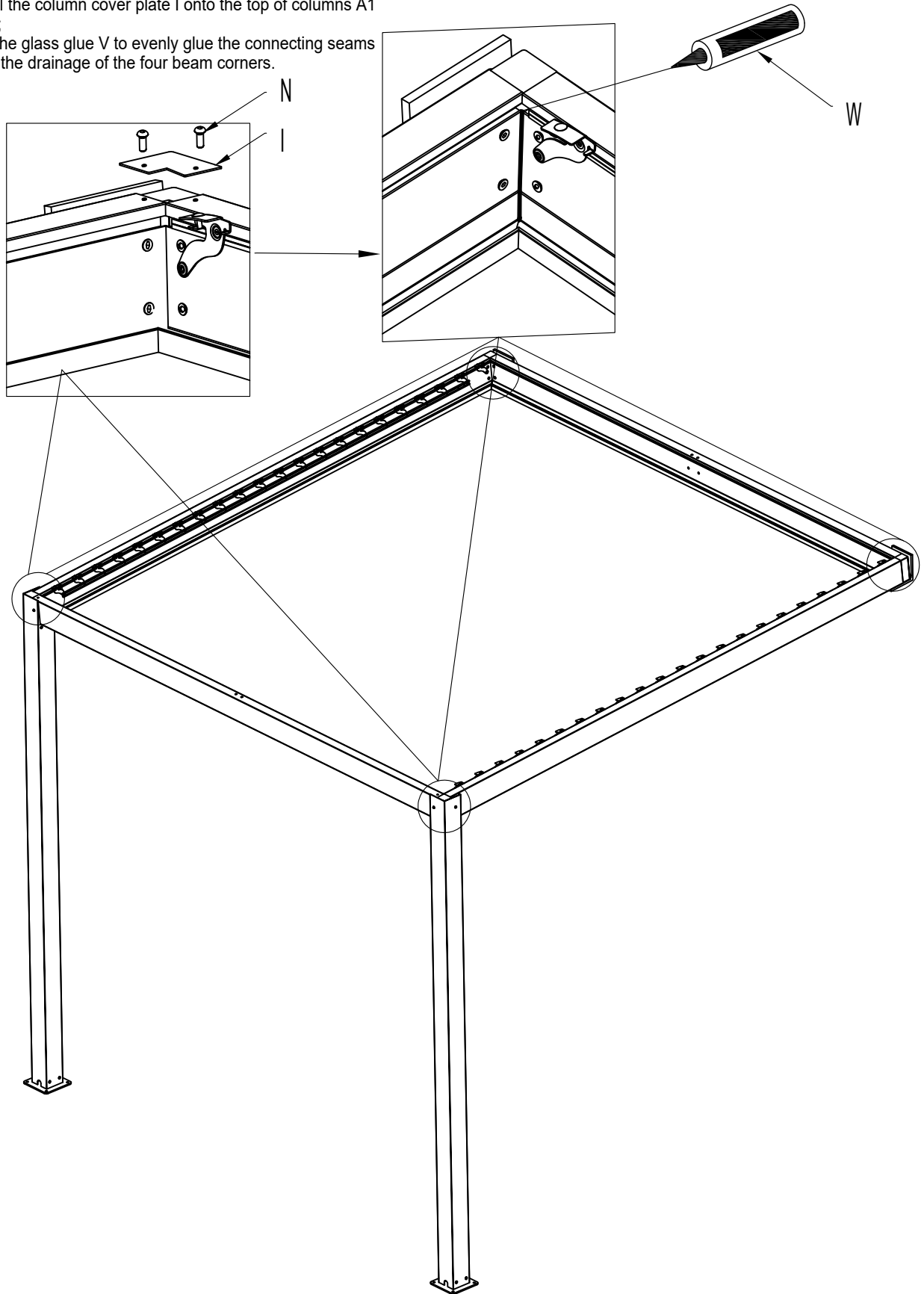
QTY: 8PCS

T

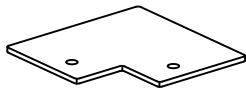


QTY: 8PCS

13.
 A. Install the column cover plate I onto the top of columns A1 and A2;
 B. Use the glass glue V to evenly glue the connecting seams around the drainage of the four beam corners.

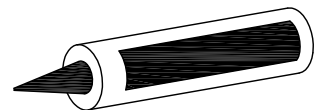


I



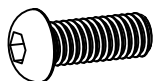
QTY: 2PCS

W



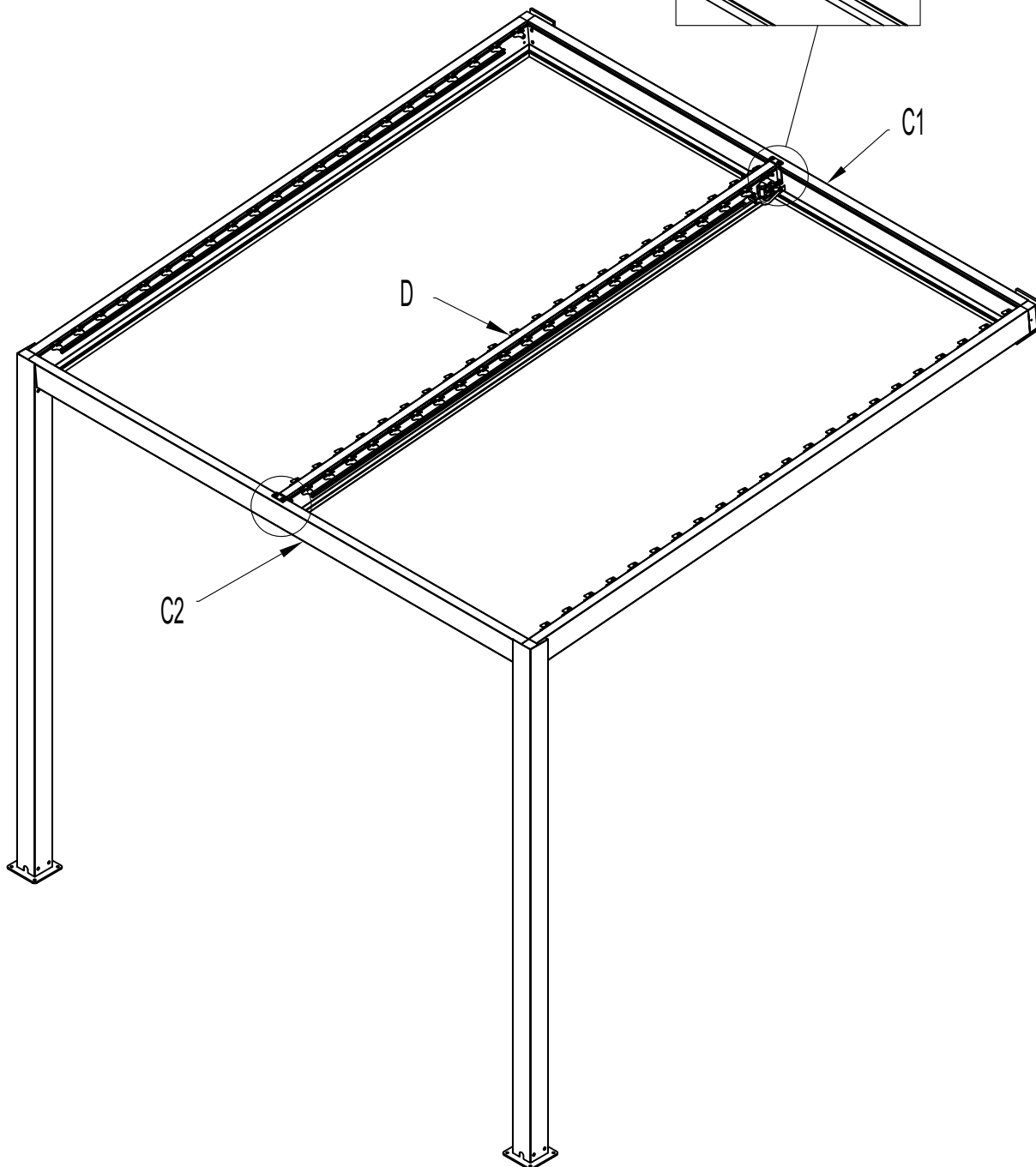
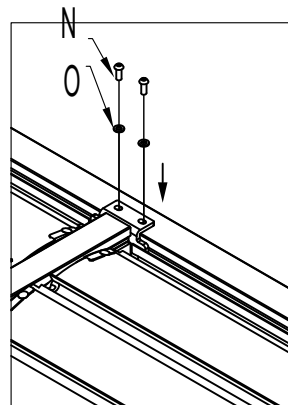
QTY: 1PCS

N

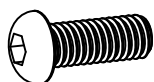


QTY: 4PCS

14. Put the middle beam D on the front beam C2 and the rear beam C1, and connect it with the screw N and the gasket O, but just keep it loose.



N



QTY: 4PCS

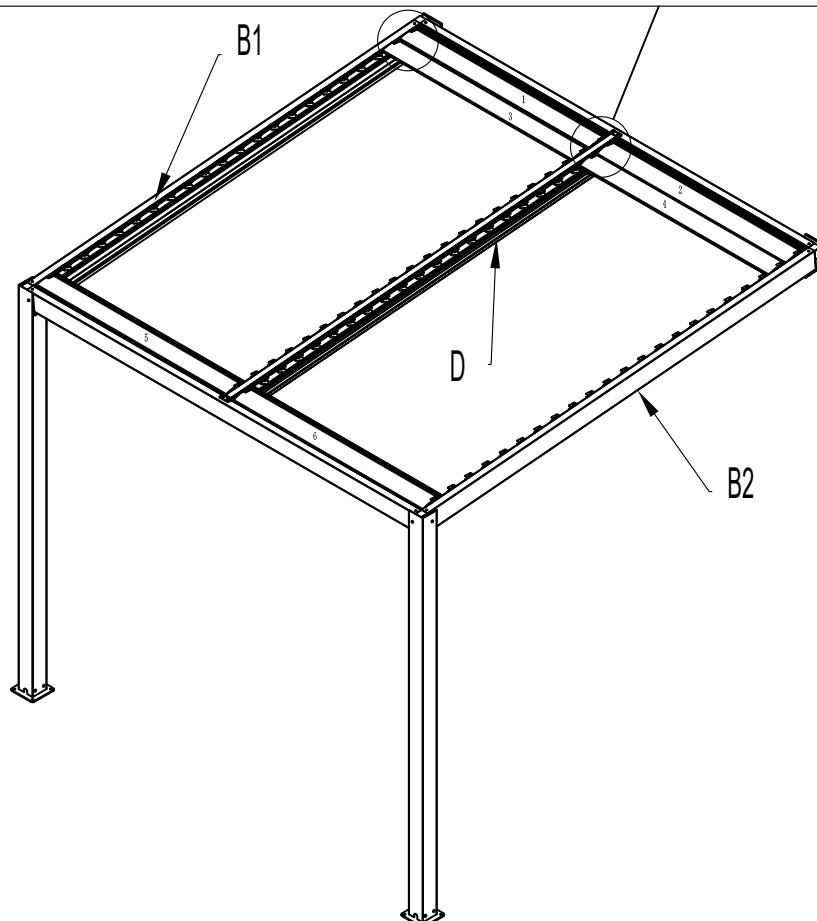
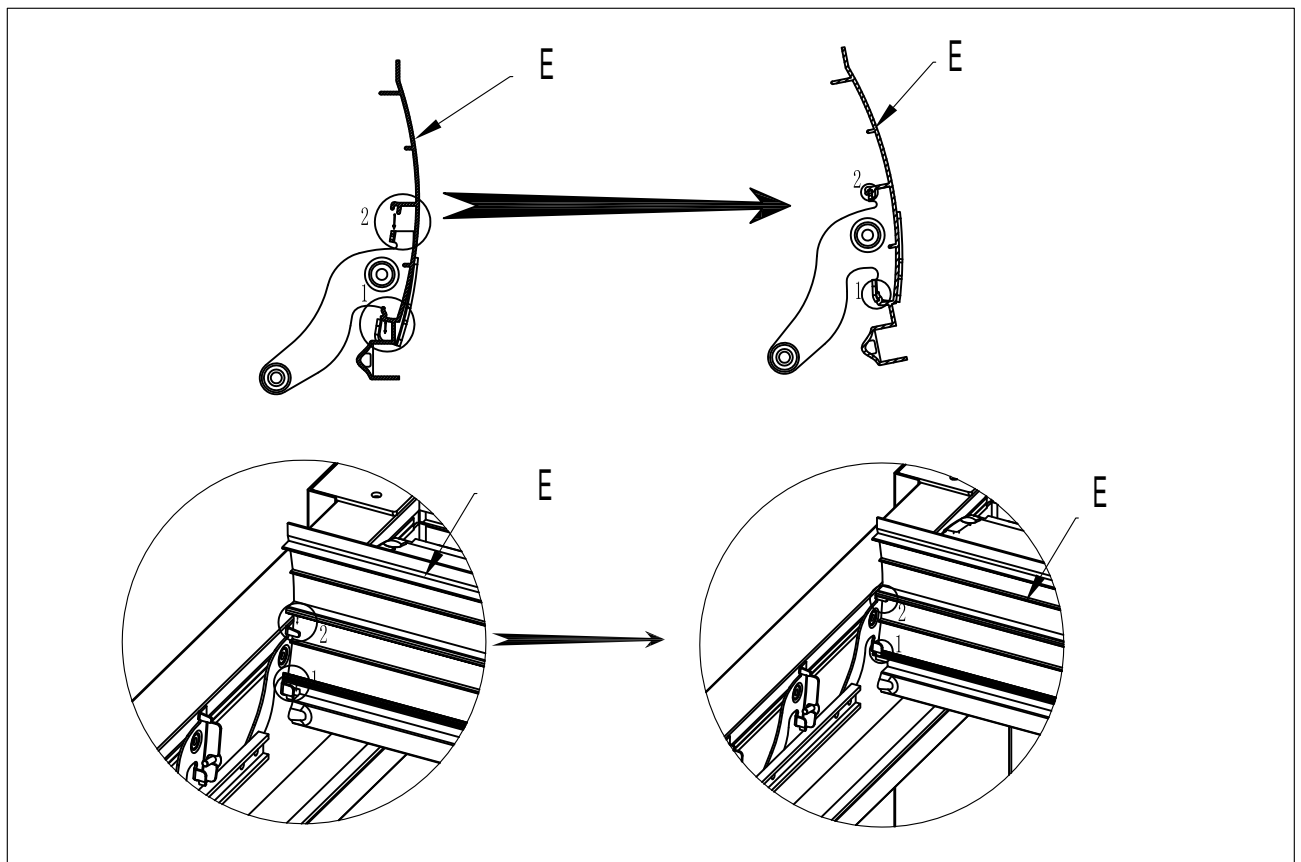
O



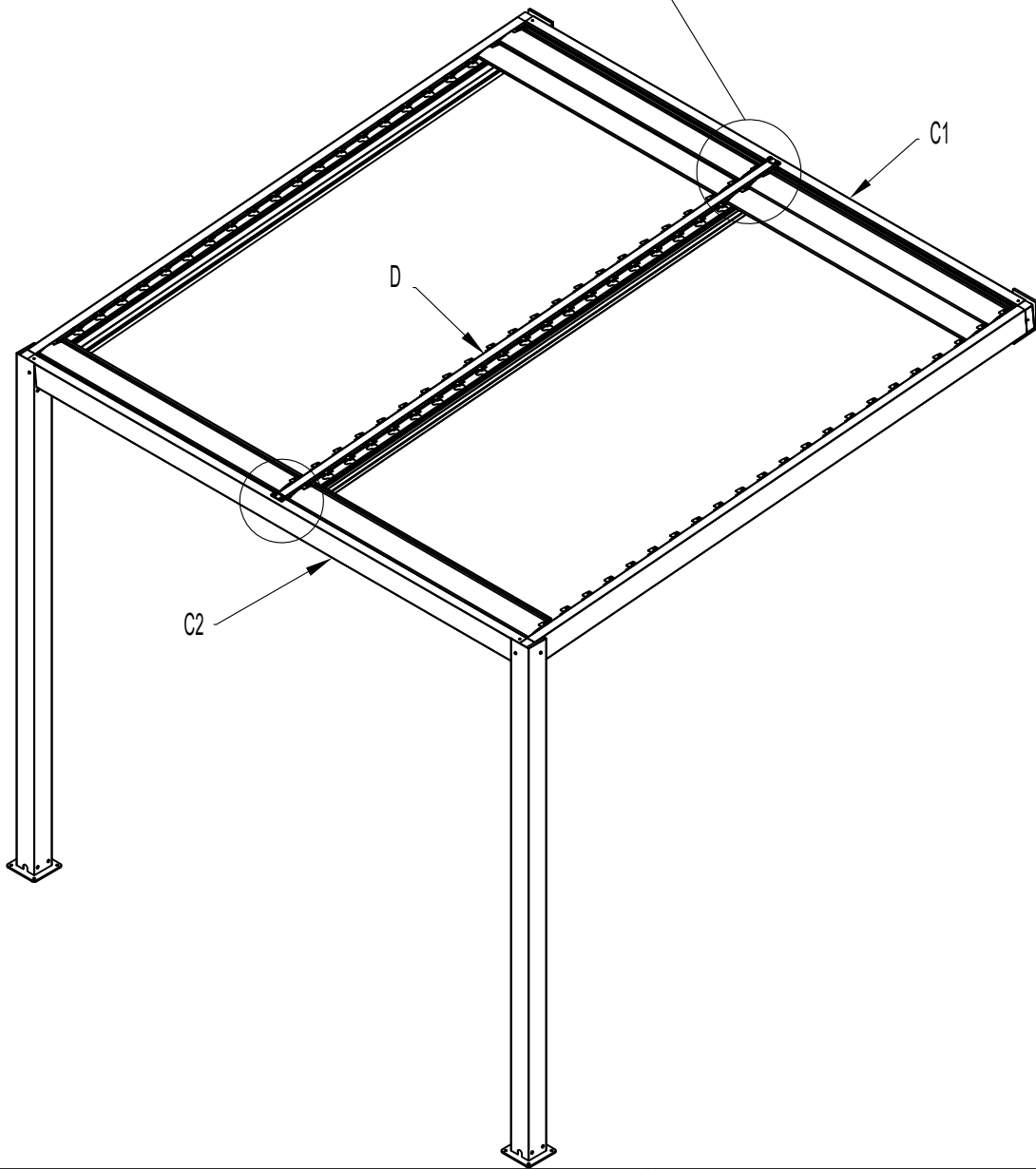
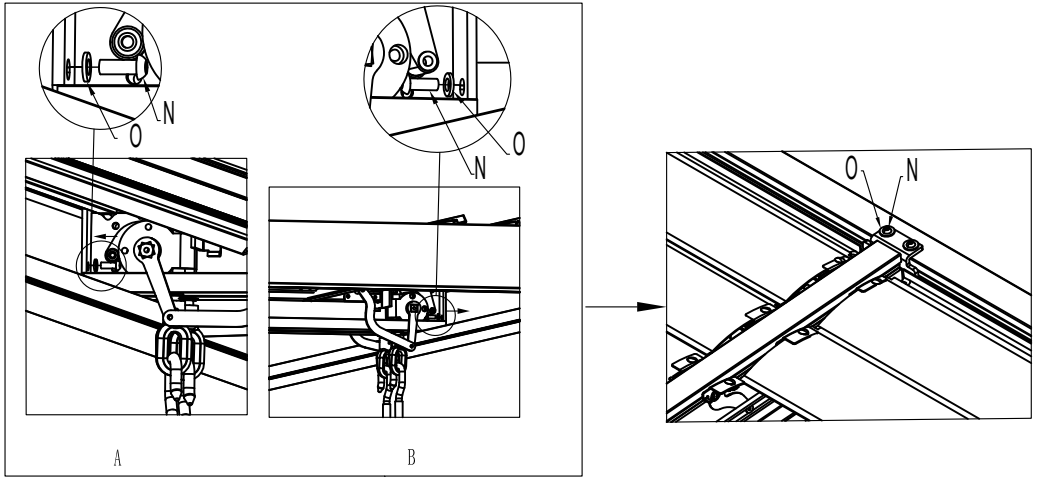
QTY: 4PCS

15. Insert the slat E into the slat support lower part of both beams according to the drawing, then press downward the slat into the slat support according to the drawing position 1 and position 2. And close the slat as the drawing shown.

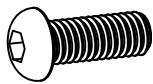
(Only install two pieces each side before step 16 and 17)



16. Put the gasket O onto the screw N firstly, align it with the holes in the lower part of the beam D, and fasten it up. Then, tighten up the screws N over the beam C1.



N



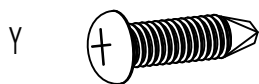
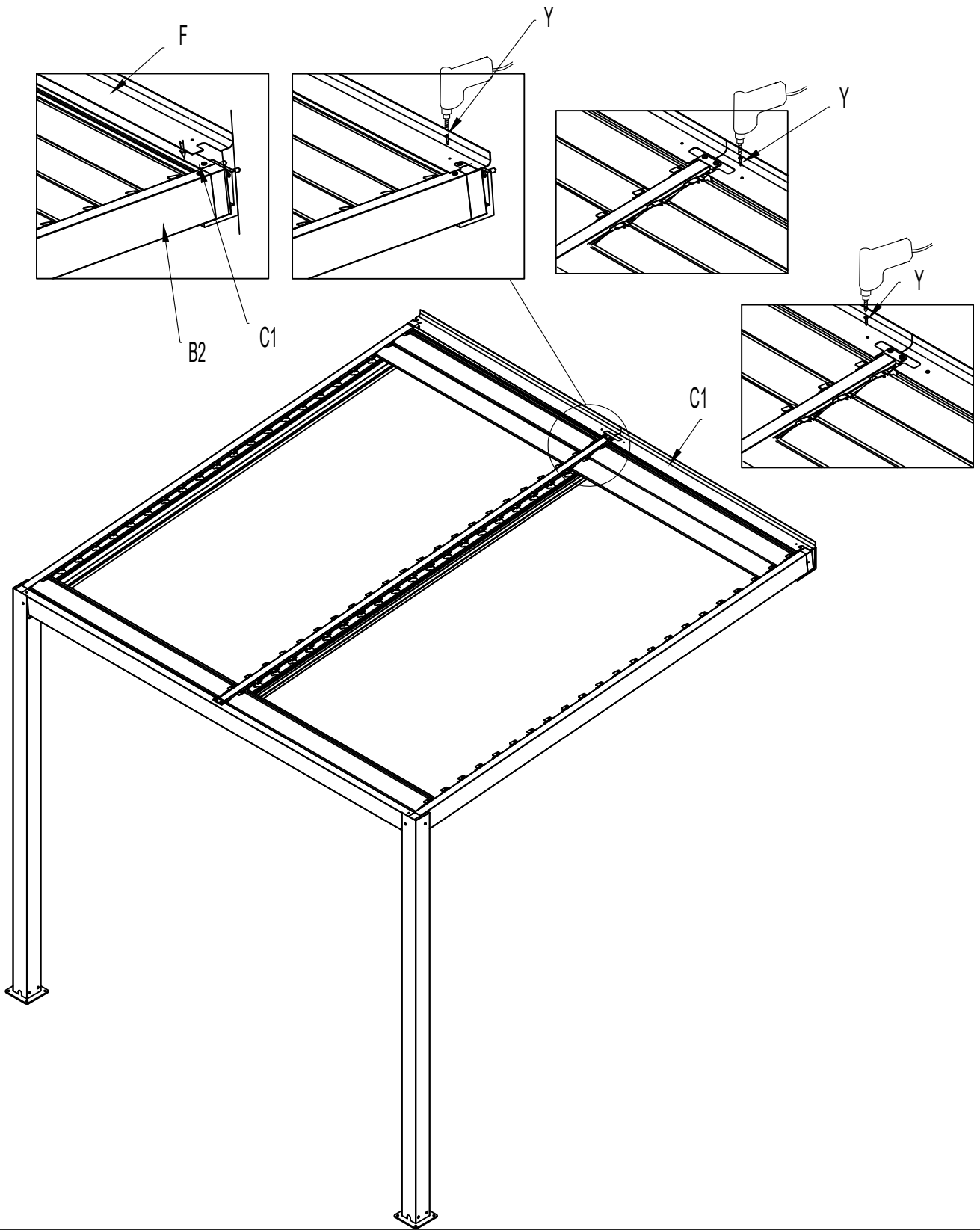
QTY: 4PCS

O



QTY: 4PCS

17. Align one end of the rain cover plate F with the beam B2, put it close to the wall, and use the electric drill to make screws Y into the holes on the rear beam C1.

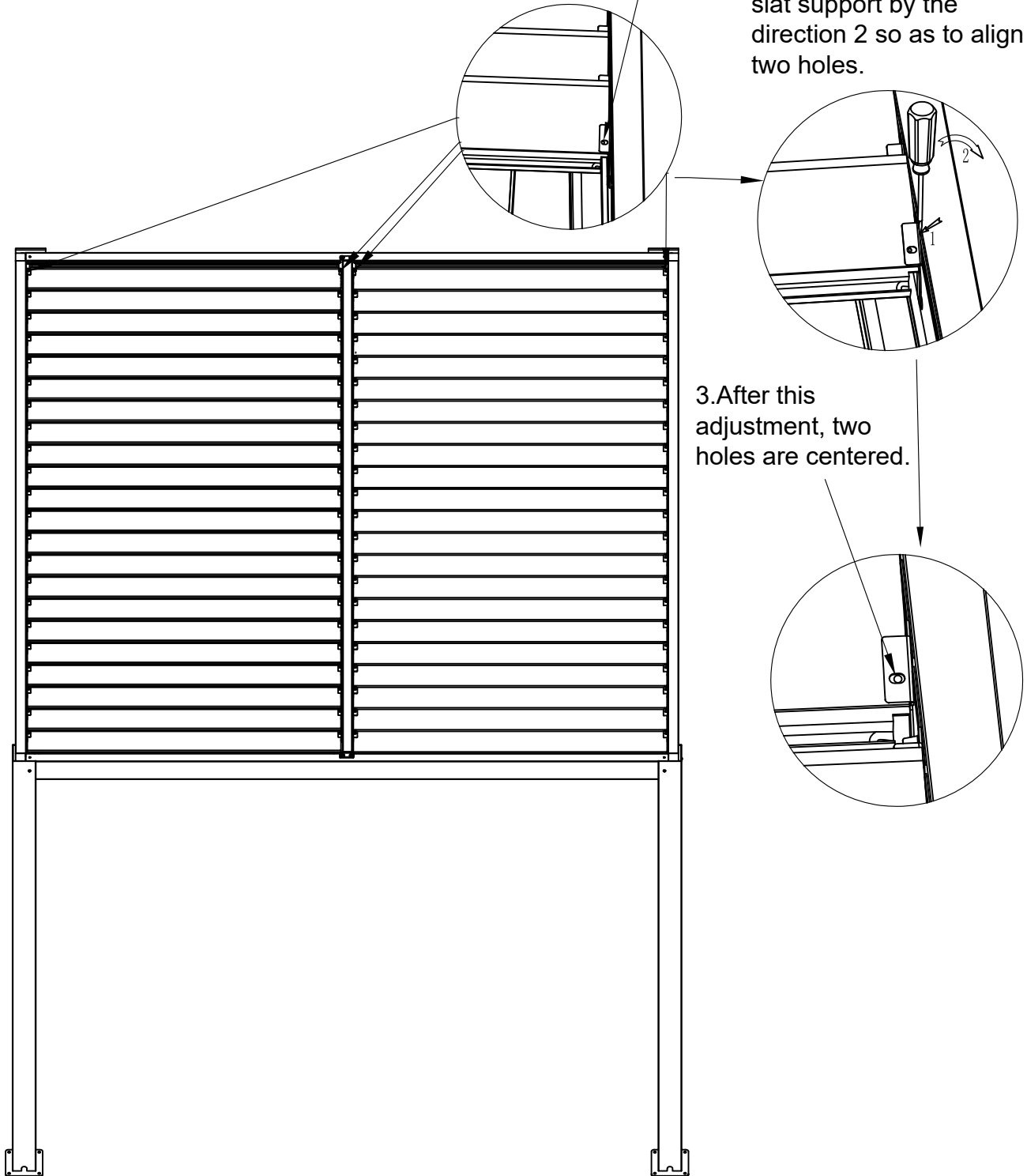


QTY: 4PCS

18. Install all the salts according to step 15 and then adjust the salts as below:

1. As the drawing shown, if the holes are not aligned, it needs to be adjusted.

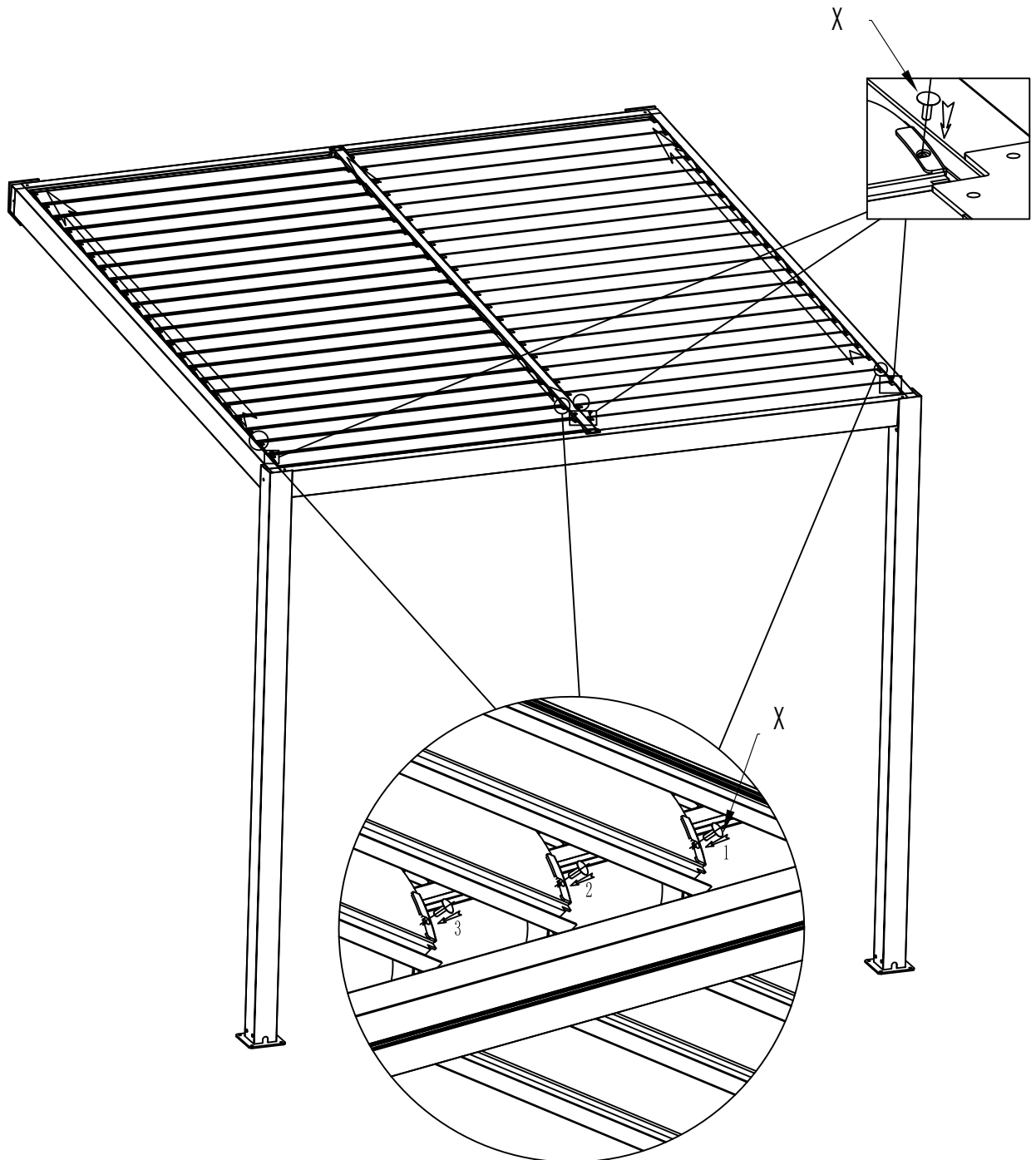
2. As the drawing shown, insert the screw driver into position 1, and rotate the slat support by the direction 2 so as to align two holes.



3. After this adjustment, two holes are centered.

19 .Install the plastic hole plug
for both ends of each slat

1.As the drawing shown, insert the
plastic hole plug X into the holes of
the front fixed two slats.



2.Open the slat to a proper position as shown in the
drawing, and insert all plastic hole plugs X into the
holes on both ends of each slat successively.

20 .Install the handle crank P, and rotate it to open or close the slat.

